

zenithinteriors.com

EPIC PLUS Workstation

Zenith

Features:

The simplicity of Epic Plus workstation provides a robust surface for changeable work modes while allowing the rest of your furniture to do the talking. Epic Plus' design coherence creates opportunities for different linear configurations, adaptable to both concentrated and collaborative work. The workstation's flexibility also extends to length adjustability in the under-desk support and its compatibility with Framed, Precinct and Ctrl screens. The workstation is available in a range of desk sizes that provide individualised solutions tailored to your employees and your business. The slim, slightly akimbo leg lines of Epic Plus workstation provides a simple and timeless aesthetic for the workplace.

Options:

- [90](#), [120](#) and [180](#) Degree configurations
- Compatible with Framed S30 screens on all 180 degree configurations, 90 and 120 degree pods
- Ctrl Screen Rails Worktop Mounted & Double Sided Rail compatibility 180 Degree and 90 Degree (limitations apply)
- Compatible with Cable Sleeve, Cable Hub, Glovebox (min desk size 1200mm), 96mm Duct
- Floorsight pucks and sensors

Design: ZENITH DESIGN STUDIO

Warranty: 10 years

Certification: GECA, Greenguard, AFRDI

Load Rating: Standard load limit for desks = 100kgs including the worktop weight.
Contact your Zenith Sales office if you require anything exceeding this limitation.

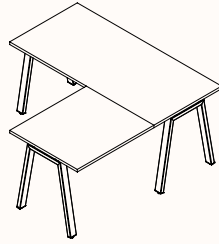
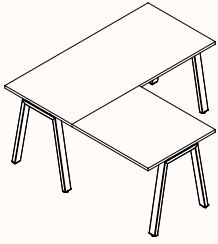
Finishes:

Worktop: 25mm laminate, veneer or custom top
Leg & frame: Powder coated in Zenith House Matt/Satin/Fine Texture range
Custom colours available upon request
Stocked models and colours may vary

Zenith House Powder Coat:



90 Degree



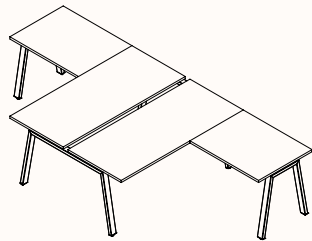
90 Degree Single 3 End Left Hand

Length Range: 1200-2400mm

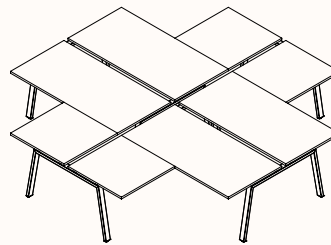
Depth Range: 600-900mm

Height: 720mm

90 Degree Single 3 End Right Hand

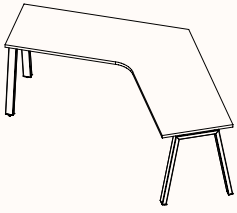


Pod of 2 3 End Right Hand



Pod of 4 3 End Left Hand & 3 End Right Hand

120 Degree

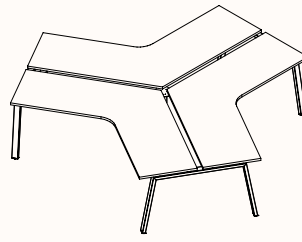


120 Degree Single

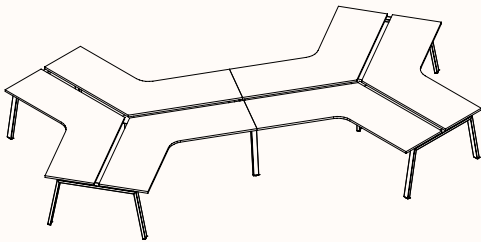
Length Range: 1200-2000mm

Depth Range: 600-900mm

Height: 720mm

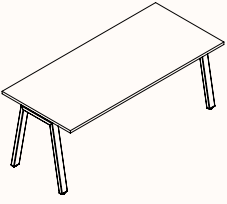


120 Degree Pod of 3



120 Degree Pod of 6

180 Degree



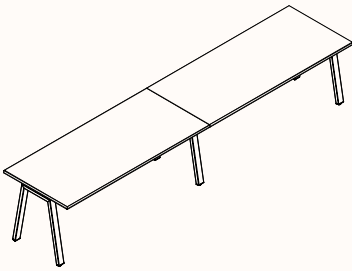
180 Degree Single

Length Range: 900-2400mm

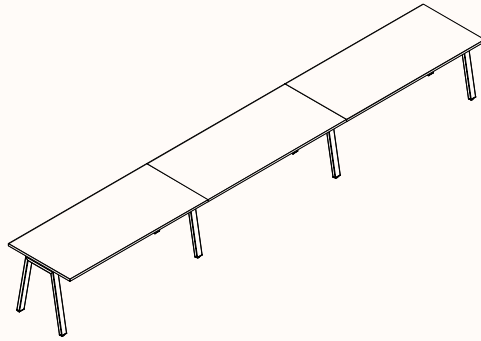
Depth Range: 600-900mm

Height: 720mm

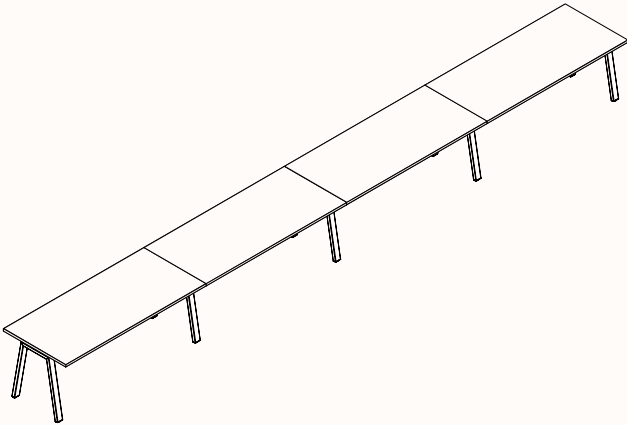
Note: These measurements apply to all worktop sizes within the Epic Plus range.



Run of 2

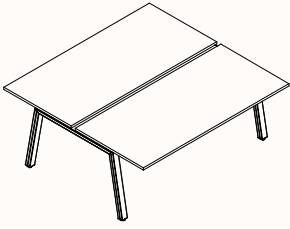


Run of 3

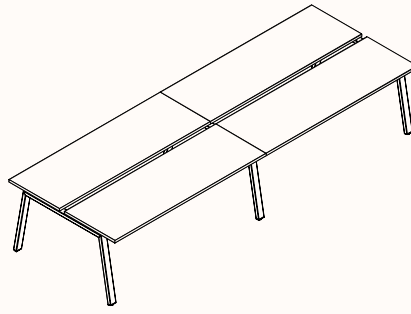


Run of 4

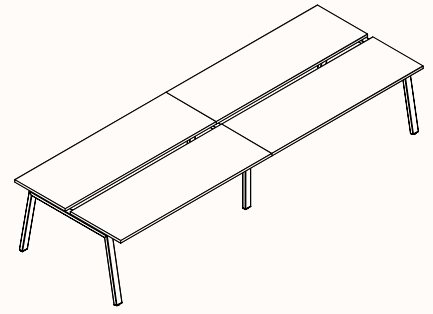
180 Degree



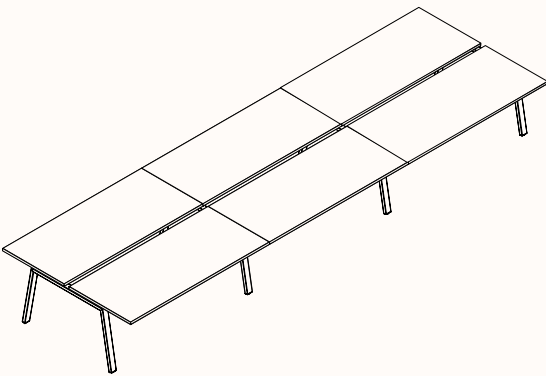
Pod of 2



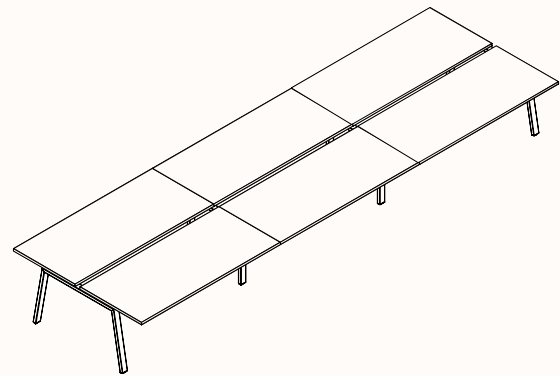
Pod of 4 Angled Shared Legs



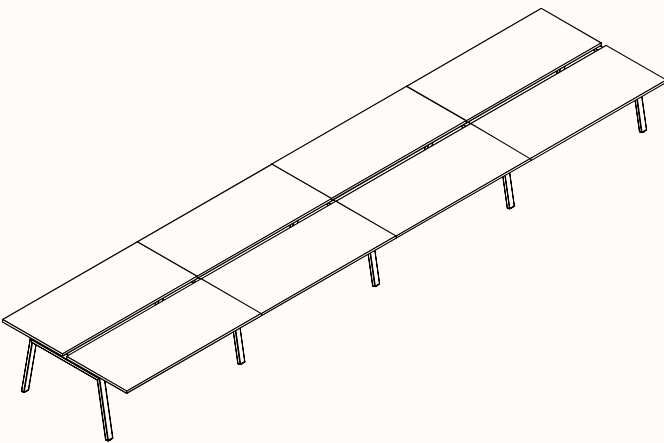
Pod of 4 Straight Shared Leg



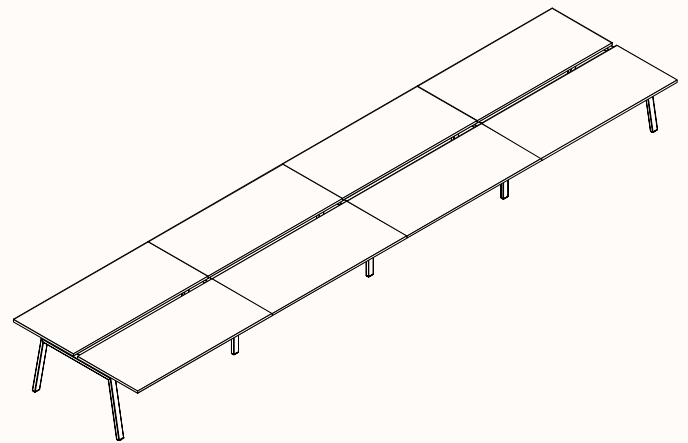
Pod of 6 Angled Shared Legs



Pod of 6 Straight Shared Legs



Pod of 8 Angled Shared Legs



Pod of 8 Straight Shared Legs

Note: Overall depth of Pod dependant on screen type and gap.