

# Cable Management



## CONTENTS:

Cable Hub	<a href="#">2</a>
Glovebox	<a href="#">4</a>
Wire Basket	<a href="#">5</a>
Cable Carrier	<a href="#">5</a>
Felt Basket	<a href="#">6</a>
Services Mounting Plate	<a href="#">7</a>
Cable Sleeve	<a href="#">8</a>
Cable Tractor	<a href="#">10</a>
Cable Cover	<a href="#">11</a>
96mm Duct Mounted on Z Bracket	<a href="#">12</a>
96mm Duct Mounted on Vertical Bracket	<a href="#">12</a>
Omni Duct	<a href="#">13</a>
Top Mount Plates	<a href="#">14</a>
Worktop Mount Duct	<a href="#">15</a>
100 x 30 Powerblade & 100 x 50 Powerblade	<a href="#">16</a>
96mm Powerblade	<a href="#">17</a>
Omi Duct Lite 1200L	<a href="#">18</a>

# Cable Hub – 500mm

## Features:

The Cable Hub has two sets of mounting brackets at each end and can be fixed to the worktop. Please ensure it will not clash with other items fixed underneath the worktop such as table support beams or in-desk boxes.

## Options:

- Cable Hub
- Cable Hub with Cable Sleeve
- Cable Hub with Tractor

## Finishes:

### 100% Recyclable PET:



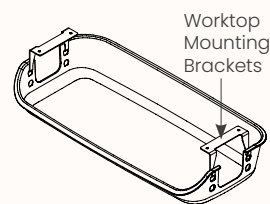
Mid-Grey

### Powder coated Mounting Brackets:



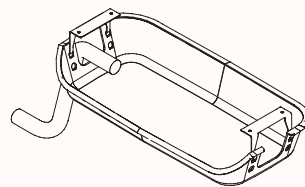
**Black**  
(Fine Texture)

## Dimensions:



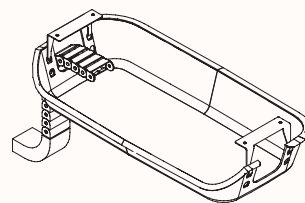
### Cable Hub

Length Range	530mm
	500mm (Internal)
Depth Range	250mm
Overall Height	100mm ; 125mm



### Cable Hub with Cable Sleeve

Length Range	530mm
	500mm (Internal)
Depth Range	250mm
Overall Height	100mm ; 125mm



### Cable Hub with Tractor

Length Range	530mm
	500mm (Internal)
Depth Range	250mm
Overall Height	100mm ; 125mm

# Cable Hub – 950mm

## Features:

The Cable Hub has two sets of mounting brackets at each end and can be fixed to the worktop. Please ensure it will not clash with other items fixed underneath the worktop such as table support beams or in-desk boxes.

## Options:

- Cable Hub
- Cable Hub with cable sleeve
- Cable Hub with Tractor

## Finishes:

### 100% Recyclable PET:



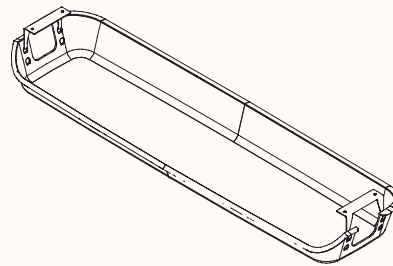
Mid-Grey

### Powder coated Mounting Brackets:



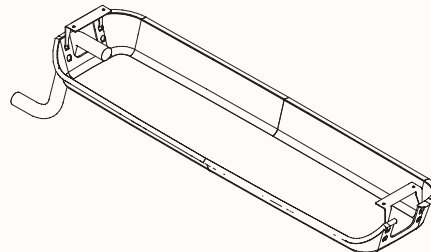
**Black**  
(Fine Texture)

## Dimensions:



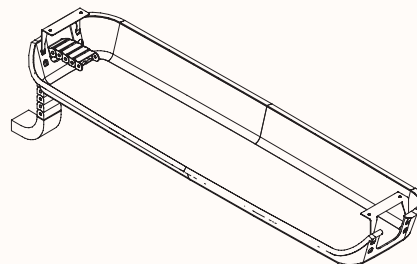
### Cable Hub

Length Range	980mm 950mm (Internal)
Depth Range	250mm
Overall Height	100mm ; 125mm



### Cable Hub with Cable Sleeve

Length Range	980mm 950mm (Internal)
Depth Range	250mm
Overall Height	100mm ; 125mm



### Cable Hub with Tractor

Length Range	980mm 950mm (Internal)
Depth Range	250mm
Overall Height	100mm ; 125mm

# Glovebox

## Glovebox with or without Power Plate

### Features:

The Glovebox is a formed PET cable dump in a fixed size. A low cost and less capacity alternative to the power plate is to order the Glovebox 'without power plate' and then separately order the Services Mount Plate.

### Options:

- Power plate for housing CMS soft wiring sockets

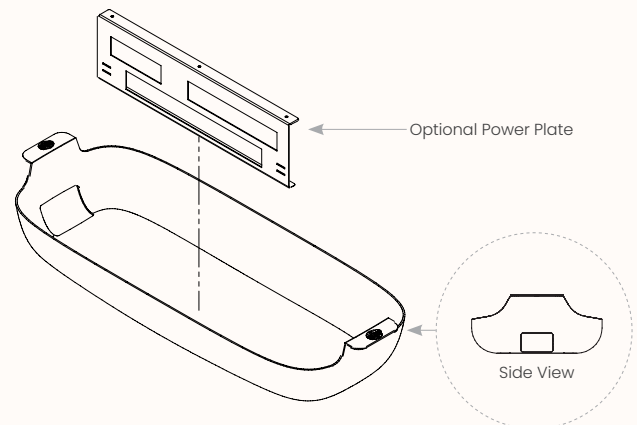
### Finishes:

#### 100% Recyclable PET:



Mid-Grey

## Dimensions:



Length Range	876mm
Depth Range	325mm
Overall Height	152mm

# Wire Basket

## Wire Basket - 950mm

### Features:

Wire Baskets are made of wire mesh folded into a range of standard basket sizes. The worktop mounting brackets are welded to the mesh and the basket is then powder coated. The basket height/depth depends on the worktop mounting brackets.

### Options:

- Single Sided
- Double Sided

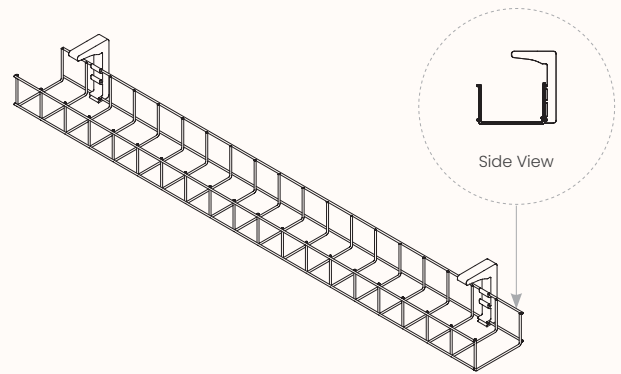
### Finishes:

#### Powder coat:



Cool White  
(satin)

## Dimensions:



Length Range	950mm
Depth Range	50mm
Overall Height	50mm

# Felt Basket

## Features:

Felt Basket works in conjunction with a Cable Sleeve or a third party Umbilical to bring the cabling neatly up from the floor into the basket.

## Options:

- With or without Cable Sleeve

## Finishes:

### Felt:

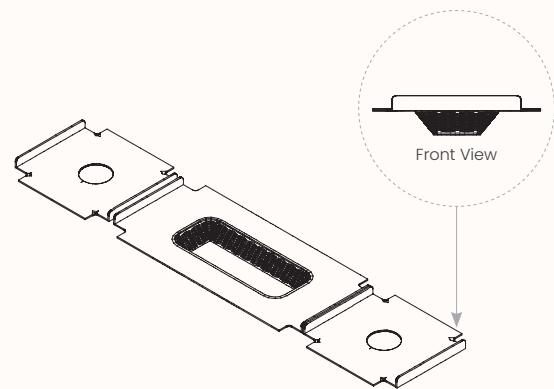


Grey



Charcoal

## Dimensions:



Length Range	766-2400mm
Depth Range	236-500mm
Overall Height	30mm

Max in desk box at expandable section: 400L x 150W x 120D

# Services Mounting Plate

## Features:

The Services Mount Plate is a simple folded sheet metal part to suit required power and data softwiring outlets. The overall plate size is fixed, and are available in two types of plates – dual and quad.

## Options:

- Dual plate fit 2x data and 2x GPO
- Quad plate can fit 2x data and 4x GPO

## Finishes:

### Powder coat:



<b>Cool White</b> (Satin/ Matt/ Fine Texture)	<b>Warm White</b> (Matt)	<b>Cool Grey</b> (Satin/ Fine Texture)	<b>Gum Grey</b> (Fine Texture)	<b>Monument</b> (Matt)	<b>Black</b> (Satin/ Matt/ Fine Texture)
-----------------------------------------------------	-----------------------------	----------------------------------------------	-----------------------------------	---------------------------	------------------------------------------------

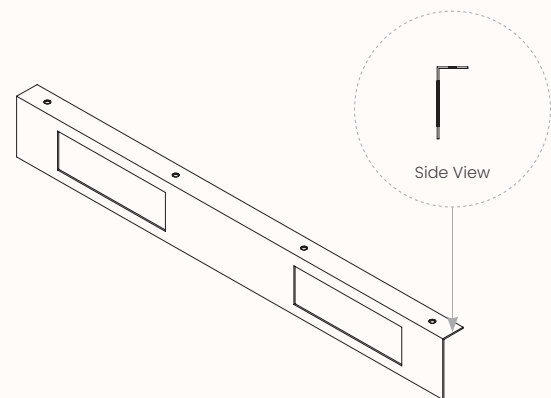


<b>Chocolate</b> (Matt/ Fine Texture)	<b>Burnt Umber</b> (Matt/ Fine Texture)	<b>Blush Pink</b> (Matt/ Fine Texture)	<b>Rust</b> (Matt/ Fine Texture)	<b>Sky Blue</b> (Matt/ Fine Texture)	<b>Indigo</b> (Matt/ Fine Texture)
---------------------------------------------	-----------------------------------------------	----------------------------------------------	----------------------------------------	--------------------------------------------	------------------------------------------



**Olive**  
(Matt/  
Fine Texture)

## Dimensions:



Length Range	520mm
Depth Range	25mm
Overall Height	65mm

# Cable Sleeve

**Features:**

The Cable Sleeve brings the cabling neatly up from the underside of the desktop to the cable tray or floor. It pairs perfectly with the 'Felt Basket & Cable Hub', but can also be used independently. The Sleeve is a textured fabric and can safely hold 1 x Power and 2 x Data cables.

**Options:**

- With or without Felt Basket

**Finishes:****Fabric:**

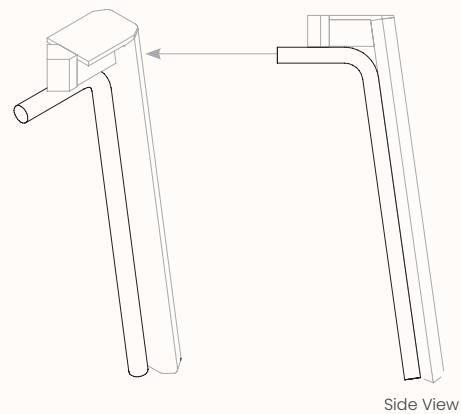
Black



Grey



White

**Dimensions:**

Length Range	25mm
Depth Range	1mm
Overall Height	1000mm



# Cable Sleeve with ABS

## Features:

The braided Cable Sleeve cleverly conceals the under desk cabling on all Zenith workstations. Designed with a loop at each end to attach the sleeve to the worktop and ducting or floor. Each sleeve can house a maximum of 2 power and 5 data cables. The Sleeve is a textured fabric with a matching ABS guide. It is located inside the braided Cable Sleeve to stiffen the fabric giving it a more rigid appearance. The ABS strip can be removed if desired.

## Finishes:

### Fabric:



Black

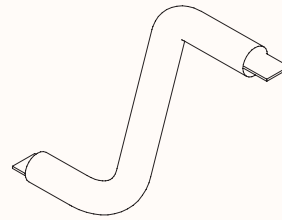


Grey



White

## Dimensions:



DIA	25mm
Length Range	1000mm

# Cable Tractor

## Features:

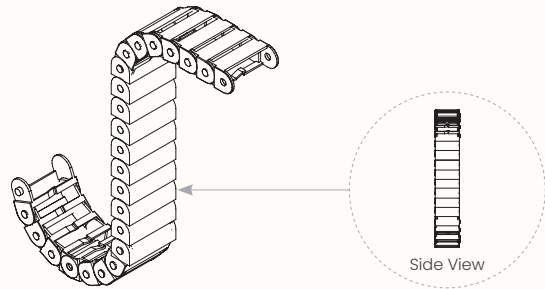
The Cable Tractor carries cables from the duct to the worktop and is mainly suited to height adjustable desks. It comes with end brackets and fasteners and has no internal segregation.

## Finishes:



White

## Dimensions:



Length Range	50mm
Depth Range	20mm
Overall Height	1000mm

# Cable Cover

## Features:

The cable cover carries cables from the floor up the workstation/table leg to the underside of the worktop. Plastic clips are screw-fixed to the leg, and an extruded cover pushes on over the cables.

## Options:

- Can hold up to 3 power cables or 6 data cables

## Finishes:

Plastic Clip: Black Matte

## Powder coat:



<b>Cool White</b> (Satin/ Matt/ Fine Texture)	<b>Warm White</b> (Matt)	<b>Cool Grey</b> (Satin/ Fine Texture)	<b>Gum Grey</b> (Fine Texture)	<b>Monument</b> (Matt)	<b>Black</b> (Satin/ Matt/ Fine Texture)
-----------------------------------------------------	-----------------------------	----------------------------------------------	-----------------------------------	---------------------------	------------------------------------------------



<b>Chocolate</b> (Matt/ Fine Texture)	<b>Burnt Umber</b> (Matt/ Fine Texture)	<b>Blush Pink</b> (Matt/ Fine Texture)	<b>Rust</b> (Matt/ Fine Texture)	<b>Sky Blue</b> (Matt/ Fine Texture)	<b>Indigo</b> (Matt/ Fine Texture)
---------------------------------------------	-----------------------------------------------	----------------------------------------------	----------------------------------------	--------------------------------------------	------------------------------------------



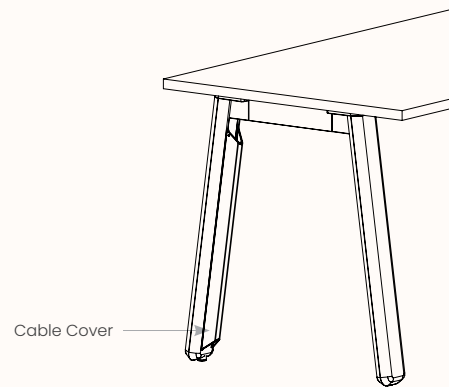
**Olive**  
(Matt/  
Fine Texture)

## Timber:



**Oak  
Vinyl**

## Dimensions:



Length Range	49mm
Depth Range	34mm
Overall Height	Calculated to suit table/workstation type & height

# 96mm Duct Mounted on Z Bracket / Vertical Bracket

## 96mm Duct Mounted on Z Bracket

### Features:

The 96mm Duct can be fixed to the worktop using Z-brackets. The Z-brackets offset the duct to give flexibility in the mounting position and avoid other items under the worktop.

### Finishes:

#### Powder coat:



**Cool White** (Satin/ Matt/ Fine Texture)   **Warm White** (Matt)   **Cool Grey** (Satin/ Fine Texture)   **Gum Grey** (Fine Texture)   **Monument** (Matt)   **Black** (Satin/ Matt/ Fine Texture)

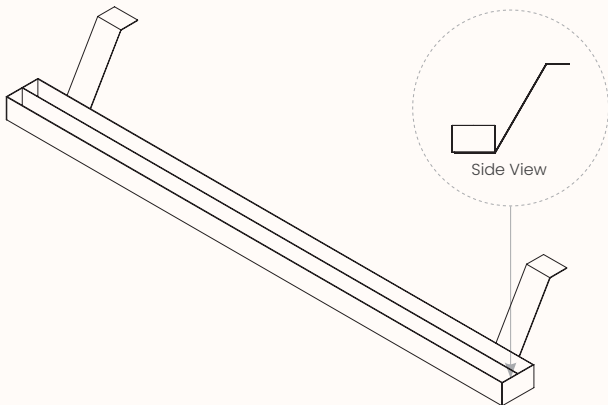


**Chocolate** (Matt/ Fine Texture)   **Burnt Umber** (Matt/ Fine Texture)   **Blush Pink** (Matt/ Fine Texture)   **Rust** (Matt/ Fine Texture)   **Sky Blue** (Matt/ Fine Texture)   **Indigo** (Matt/ Fine Texture)



**Olive** (Matt/ Fine Texture)

### Dimensions:



Length Range      500-2700mm  
 Depth Range      236mm  
 Overall Height    160mm

## 96mm Duct Mounted on Vertical Bracket

### Features:

The 96mm Duct can be fixed to the worktop using vertical brackets. The Vertical Brackets provide a smaller footprint and give flexibility in the mounting position and avoid other items under the worktop.

### Finishes:

#### Powder coat:



**Cool White** (Satin/ Matt/ Fine Texture)   **Warm White** (Matt)   **Cool Grey** (Satin/ Fine Texture)   **Gum Grey** (Fine Texture)   **Monument** (Matt)   **Black** (Satin/ Matt/ Fine Texture)

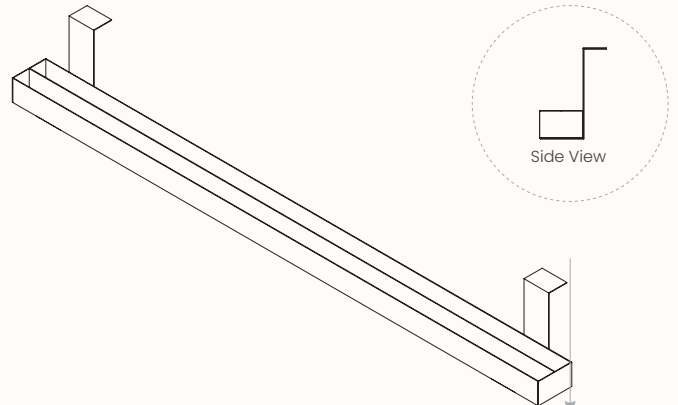


**Chocolate** (Matt/ Fine Texture)   **Burnt Umber** (Matt/ Fine Texture)   **Blush Pink** (Matt/ Fine Texture)   **Rust** (Matt/ Fine Texture)   **Sky Blue** (Matt/ Fine Texture)   **Indigo** (Matt/ Fine Texture)



**Olive** (Matt/ Fine Texture)

### Dimensions:



Length Range      500-2700mm  
 Depth Range      149mm  
 Overall Height    160mm

# Omni Duct

## Features:

Omni Duct has 3 rows of formed detail in the tray so that power and data can be segregated in the separate rows. Double or Quad GPO Inserts clip into Omni Duct.

## Options:

- Cable Divider can be specified for physical separation in Omni Duct
- With or without plates

## Finishes:

### Powder coat:



<b>Cool White</b> (Satin/ Matt/ Fine Texture)	<b>Warm White</b> (Matt)	<b>Cool Grey</b> (Satin/ Fine Texture)	<b>Gum Grey</b> (Fine Texture)	<b>Monument</b> (Matt)	<b>Black</b> (Satin/ Matt/ Fine Texture)
-----------------------------------------------------	-----------------------------	----------------------------------------------	-----------------------------------	---------------------------	------------------------------------------------

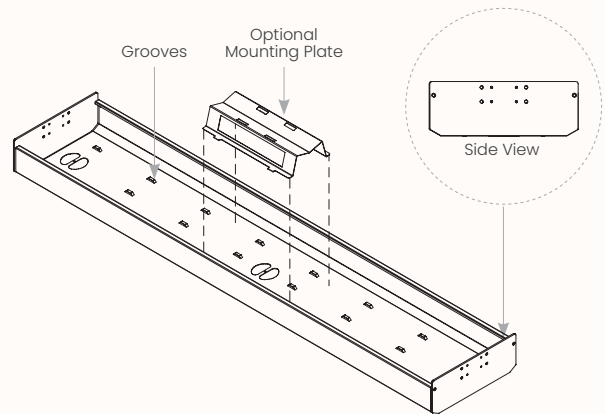


<b>Chocolate</b> (Matt/ Fine Texture)	<b>Burnt Umber</b> (Matt/ Fine Texture)	<b>Blush Pink</b> (Matt/ Fine Texture)	<b>Rust</b> (Matt/ Fine Texture)	<b>Sky Blue</b> (Matt/ Fine Texture)	<b>Indigo</b> (Matt/ Fine Texture)
---------------------------------------------	-----------------------------------------------	----------------------------------------------	----------------------------------------	--------------------------------------------	------------------------------------------



**Olive**  
(Matt/  
Fine Texture)

## Dimensions:



Length Range	Variable
Depth Range	300mm
Overall Height	88mm

# Top Mount Plates

## Features:

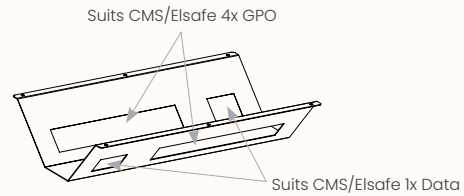
Top Mount Plates are folded sheet metal parts which fix to the underside of the worktop to house power/data outlets. The Top Mount Plates are designed to seamlessly integrate with other cable management products such as the Worktop Mount Duct.

## Finishes:

### Powder coat:

					
<b>Cool White</b> (Satin/ Matt/ Fine Texture)	<b>Warm White</b> (Matt)	<b>Cool Grey</b> (Satin/ Fine Texture)	<b>Gum Grey</b> (Fine Texture)	<b>Monument</b> (Matt)	<b>Black</b> (Satin/ Matt/ Fine Texture)
					
<b>Chocolate</b> (Matt/ Fine Texture)	<b>Burnt Umber</b> (Matt/ Fine Texture)	<b>Blush Pink</b> (Matt/ Fine Texture)	<b>Rust</b> (Matt/ Fine Texture)	<b>Sky Blue</b> (Matt/ Fine Texture)	<b>Indigo</b> (Matt/ Fine Texture)
					
<b>Olive</b> (Matt/ Fine Texture)					

## Dimensions:



### CMS/Elsafe

#### Top Mount Plates

Length Range	410mm
Depth Range	284mm
Height Range	90mm

# Worktop Mount Duct

## Features:

The Worktop Mount Duct is a simple folded steel cable tray compatible with multiple different power/data requirements and other cable management products such as the Top Mount Plates. The underside of the duct comes with attachment points for an umbilical to the floor.

## Finishes:

### Powder coat:



<b>Cool White</b> (Satin/ Matt/ Fine Texture)	<b>Warm White</b> (Matt)	<b>Cool Grey</b> (Satin/ Fine Texture)	<b>Gum Grey</b> (Fine Texture)	<b>Monument</b> (Matt)	<b>Black</b> (Satin/ Matt/ Fine Texture)
-----------------------------------------------------	-----------------------------	----------------------------------------------	-----------------------------------	---------------------------	------------------------------------------------

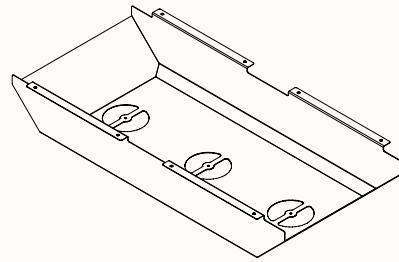


<b>Chocolate</b> (Matt/ Fine Texture)	<b>Burnt Umber</b> (Matt/ Fine Texture)	<b>Blush Pink</b> (Matt/ Fine Texture)	<b>Rust</b> (Matt/ Fine Texture)	<b>Sky Blue</b> (Matt/ Fine Texture)	<b>Indigo</b> (Matt/ Fine Texture)
---------------------------------------------	-----------------------------------------------	----------------------------------------------	----------------------------------------	--------------------------------------------	------------------------------------------



**Olive**  
(Matt/  
Fine Texture)

## Dimensions:



Length Range	660mm
Depth Range	324mm
Overall Height	110mm to suit CMS/Elsafe top mount plates

# 100 x 30 Powerblade & 100 x 50 Powerblade

## 100 x 30 Powerblade

### Features:

100 x 30 Powerblade is designed to bring cabling in from the ceiling to the workstation. It can be fitted from floor or bottom of screen up to the ceiling. Can be compatible with S30 screen as well.

### Finishes:

#### Powder coat:



Cool White  
(Satin/ Matt)

Warm White  
(Matt)

Cool Grey  
(Satin)

Monument  
(Matt)

Black  
(Satin/ Matt)

### Dimensions:



Length Range 100mm  
Depth Range 30mm  
Overall Height Any height  
(Can go to the ceiling)

## 100 x 50 Powerblade

### Features:

100 x 50 Powerblade is designed to bring cabling in from the ceiling to the workstation. It can be fitted from floor or bottom of screen up to the ceiling. Can be compatible with S50 screen as well.

### Finishes:

#### Powder coat:



Cool White  
(Satin/ Matt)

Warm White  
(Matt)

Cool Grey  
(Satin)

Monument  
(Matt)

Black  
(Satin/ Matt)

### Dimensions:



Length Range 100mm  
Depth Range 50mm  
Overall Height Any height  
(Can go to the ceiling)



# 96mm Powerblade

## Features:

The 96mm Powerblade carries cables from the access floor to the 96mm Duct. The 96mm Duct can be fixed to the desk frame or the worktop (depending on the desk system). 96mm Powerblades are available in the following types:

- Silhouette 720H or 750H (suits any 96mm duct on Z-brackets or vertical brackets mounted to the worktop – therefore can be used on other desk frames such as Kissen, Epic Plus)

## Finishes:

### Powder coat:



**Cool White**  
(Satin/ Matt)



**Warm White**  
(Matt)



**Cool Grey**  
(Satin)

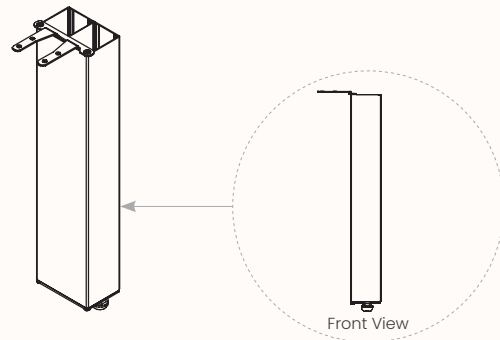


**Monument**  
(Matt)



**Black**  
(Satin/ Matt)

## Dimensions:



Length Range  
Depth Range  
Overall Height

96mm  
60mm  
Any height  
(Floor to workstation)

# Omi Duct Lite Work Top Mounted

## Omi Duct Lite

### Features:

The Omni Duct Lite WTM (Work Top Mounted) is a versatile cable tray which can hinge open in two directions to allow access to cabling. The ends of the duct are supported by folded steel brackets which fix to the underside of the worktop.

### Finishes:

#### Powder coat:



**Cool White** (Satin/ Matt/ Fine Texture)   **Warm White** (Matt)   **Cool Grey** (Satin/ Fine Texture)   **Gum Grey** (Fine Texture)   **Monument** (Matt)   **Black** (Satin/ Matt/ Fine Texture)

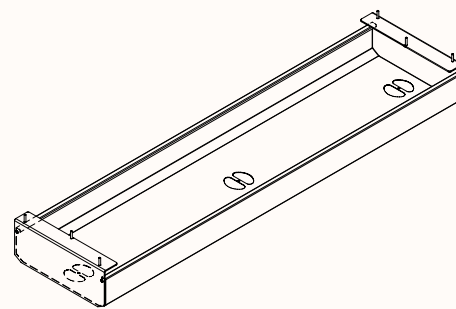


**Chocolate** (Matt/ Fine Texture)   **Burnt Umber** (Matt/ Fine Texture)   **Blush Pink** (Matt/ Fine Texture)   **Rust** (Matt/ Fine Texture)   **Sky Blue** (Matt/ Fine Texture)   **Indigo** (Matt/ Fine Texture)



**Olive** (Matt/ Fine Texture)

### Dimensions:



OW 1190mm  
OD 300mm  
OH 114.5mm