

Cable Management



CONTENTS:

Cable Hub	2
Glovebox	4
Wire Basket	5
Services Mounting Plate	6
Cable Sleeve	7
Cable Tractor	8
Cable Cover	9
Rectangular Umbilical	10
96mm Duct Mounted on Z Bracket	11
96mm Duct Mounted on Vertical Bracket	11
Cable Duct	12
Hinged Front Cable Box	13
Cable Tray Open & Closed	14
Powerblade	15
Omni Duct lite for Kissen	16

Cable Hub – 500mm

Features:

The Cable Hub has two sets of mounting brackets at each end and can be fixed to the worktop at two different heights. Please ensure it will not clash with other items fixed underneath the worktop such as table support beams or in-desk boxes.

Options:

- Cable Hub
- Cable Hub with Cable Sleeve
- Cable Hub with Tractor

Finishes:

100% Recyclable PET:



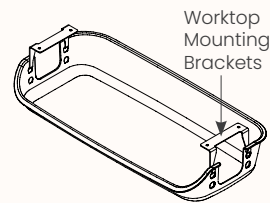
Mid-Grey

Powder coated Mounting Brackets:



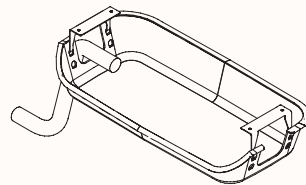
Black
(Fine Texture)

Dimensions:



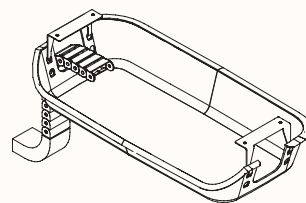
Cable Hub

Length Range	530mm
	500mm (Internal)
Depth Range	250mm
Overall Height	100mm ; 125mm



Cable Hub with Cable Sleeve

Length Range	530mm
	500mm (Internal)
Depth Range	250mm
Overall Height	100mm ; 125mm



Cable Hub with Tractor

Length Range	530mm
	500mm (Internal)
Depth Range	250mm
Overall Height	100mm ; 125mm

Cable Hub – 950mm

Features:

The Cable Hub has two sets of mounting brackets at each end and can be fixed to the worktop. Please ensure it will not clash with other items fixed underneath the worktop such as table support beams or in-desk boxes.

Options:

- Cable Hub
- Cable Hub with cable sleeve
- Cable Hub with Tractor

Finishes:

100% Recyclable PET:



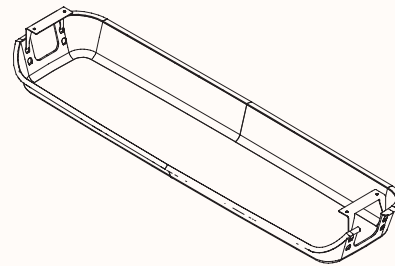
Mid-Grey

Powder coated Mounting Brackets:



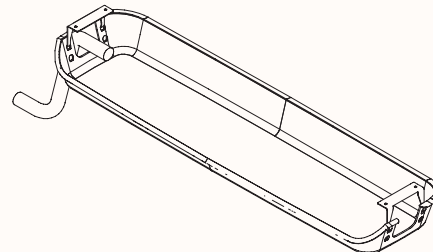
Black
(Fine Texture)

Dimensions:



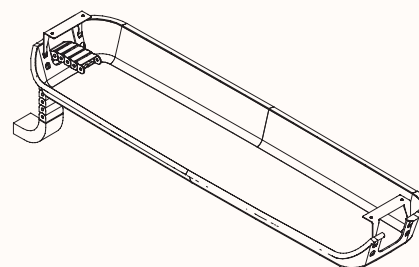
Cable Hub

Length Range	980mm 950mm (Internal)
Depth Range	250mm
Overall Height	100mm ; 125mm



Cable Hub with Cable Sleeve

Length Range	980mm 950mm (Internal)
Depth Range	250mm
Overall Height	100mm ; 125mm



Cable Hub with Tractor

Length Range	980mm 950mm (Internal)
Depth Range	250mm
Overall Height	100mm ; 125mm

Glovebox

Glovebox with or without Power Plate

Features:

The Glovebox is a formed PET cable dump in a fixed size. A low cost and less capacity alternative to the power plate is to order the Glovebox 'without power plate' and then separately order the Services Mount Plate.

Options:

- Power plate for housing CMS soft wiring sockets

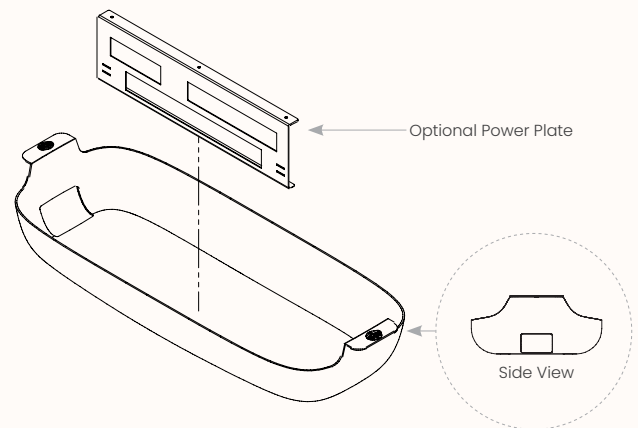
Finishes:

100% Recyclable PET:



Mid-Grey

Dimensions:



Length Range	876mm
Depth Range	325mm
Overall Height	152mm

Wire Basket

Wire Basket - 950mm

Features:

Wire Baskets are made of wire mesh folded into a range of standard basket sizes. The worktop mounting brackets are welded to the mesh and the basket is then powder coated. The basket height/depth depends on the worktop mounting brackets.

Options:

- Single Sided
- Double Sided

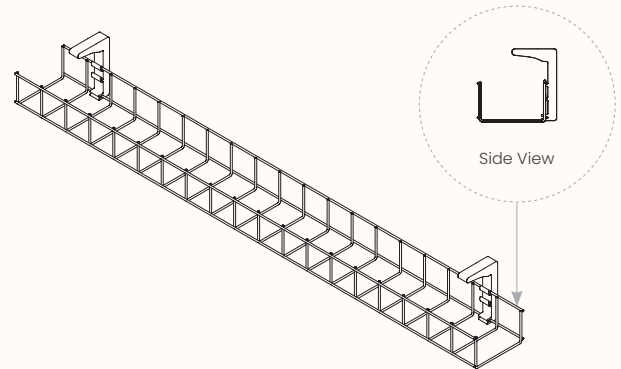
Finishes:

Powder coat:



Cool White
(satin)

Dimensions:



Length Range	950mm
Depth Range	50mm
Overall Height	50mm

Services Mounting Plate

Features:

The Services Mount Plate is a simple folded sheet metal part to suit required power and data softwiring outlets. The overall plate size is fixed, and are available two types of plates – dual and quad.

Options:

- Dual plate fit 2x data and 2x GPO
- Quad plate can fit 2x data and 4x GPO

Finishes:

Powder coat:



Cool White (Satin/ Matt/ Fine Texture)	Warm White (Matt)	Cool Grey (Satin/ Fine Texture)	Gum Grey (Fine Texture)	Monument (Matt)	Black (Satin/ Matt/ Fine Texture)
---	-----------------------------	--	-----------------------------------	---------------------------	--

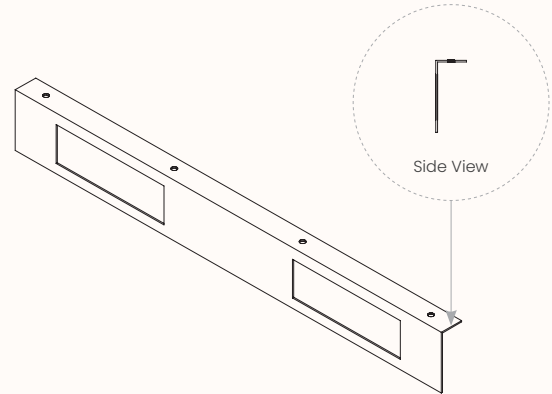


Chocolate (Matt/ Fine Texture)	Burnt Umber (Matt/ Fine Texture)	Blush Pink (Matt/ Fine Texture)	Rust (Matt/ Fine Texture)	Sky Blue (Matt/ Fine Texture)	Indigo (Matt/ Fine Texture)
---	---	--	--	--	--



Olive
(Matt/
Fine Texture)

Dimensions:



Length Range	520mm
Depth Range	25mm
Overall Height	65mm

Cable Sleeve with ABS

Features:

The braided Cable Sleeve cleverly conceals the under desk cabling on all Zenith workstations. Designed with a loop at each end to attach the sleeve to the worktop and ducting or floor. Each sleeve can house a maximum of 2 power and 5 data cables. The Sleeve is a textured fabric with a matching ABS guide. It is located inside the braided Cable Sleeve to stiffen the fabric giving it a more rigid appearance. The ABS strip can be removed if desired.

Finishes:

Fabric:



Black

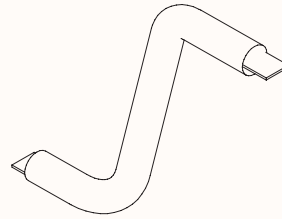


Grey



White

Dimensions:



DIA 25mm
Length Range 1000mm

Cable Tractor

Features:

The Cable Tractor carries cables from the duct to the worktop and is mainly suited to height adjustable desks. It comes with end brackets and fasteners and has no internal segregation.

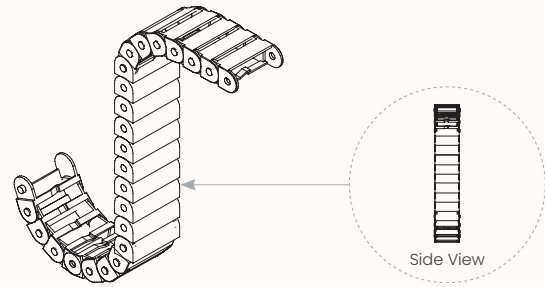
Finishes:

Powder coat:



White

Dimensions:



Length Range	50mm
Depth Range	20mm
Overall Height	1000mm

Cable Cover

Features:

The cable cover carries cables from the floor up the workstation/table leg to the underside of the worktop. Plastic clips are screw-fixed to the leg, and an extruded cover pushes on over the cables.

Options:

- Can hold up to 3 power cables or 6 data cables

Finishes:

Plastic Clip: Black Matte

Powder coat:



Cool White (Satin/ Matt/ Fine Texture) **Warm White** (Matt) **Cool Grey** (Satin/ Fine Texture) **Gum Grey** (Fine Texture) **Monument** (Matt) **Black** (Satin/ Matt/ Fine Texture)



Chocolate (Matt/ Fine Texture) **Burnt Umber** (Matt/ Fine Texture) **Blush Pink** (Matt/ Fine Texture) **Rust** (Matt/ Fine Texture) **Sky Blue** (Matt/ Fine Texture) **Indigo** (Matt/ Fine Texture)



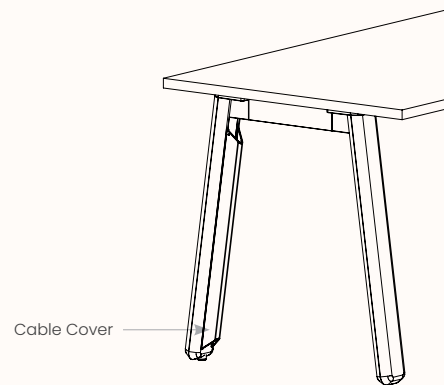
Olive
(Matt/ Fine Texture)

Timber:



Oak Vinyl

Dimensions:



Length Range 49mm
Depth Range 34mm
Overall Height Calculated to suit table/workstation
type & height

Rectangular Umbilical

Features:

The Rectangular Umbilical carries cables from the duct to the worktop and is mainly suited to height adjustable desks. There are two types of mounting brackets to suit different desk systems:

Rectangular Umbilical – Vertical Cable Management

The Rectangular Umbilical carries cables from the access floor to the worktop and comes with a floor base at one end and a worktop mounting bracket at the other end. The umbilical comes in a variety of lengths to suit different desk applications:

- 750mm L (suits 720 / 750H fixed height desks)
- 900mm L (suits 900H fixed height desks)
- 1050mm L (suits 1050H fixed height desks)
- 1230mm L (suits electric adjust desks)

The umbilical segment is approx. 68mm x 36mm and has internal segregation into 4 compartments.

Finishes:

Powder coat:



White

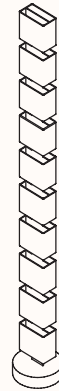


Black



Silver

Dimensions:



Length Range	68mm
Depth Range	36mm
Overall Height	750/900/1000/1050/1230mm

96mm Duct Mounted on Z Bracket / Vertical Bracket

96mm Duct Mounted on Z Bracket

Features:

The 96mm Duct can be fixed to the worktop using Z-brackets. The Z-brackets offset the duct to give flexibility in the mounting position and avoid other items under the worktop.

Finishes:

Powder coat:



Cool White (Satin/ Matt/ Fine Texture) **Warm White** (Matt) **Cool Grey** (Satin/ Fine Texture) **Gum Grey** (Fine Texture) **Monument** (Matt) **Black** (Satin/ Matt/ Fine Texture)

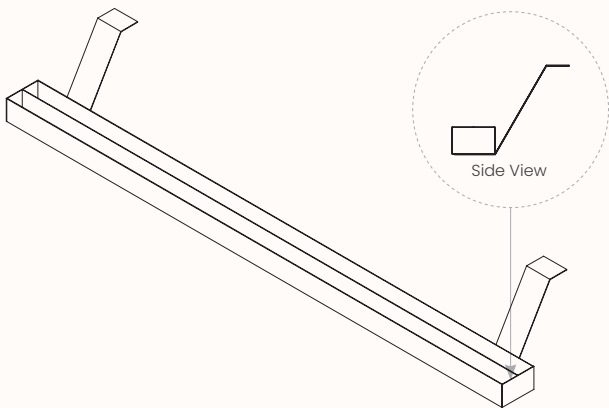


Chocolate (Matt/ Fine Texture) **Burnt Umber** (Matt/ Fine Texture) **Blush Pink** (Matt/ Fine Texture) **Rust** (Matt/ Fine Texture) **Sky Blue** (Matt/ Fine Texture) **Indigo** (Matt/ Fine Texture)



Olive (Matt/ Fine Texture)

Dimensions:



Length Range 500-2700mm
 Depth Range 236mm
 Overall Height 160mm

96mm Duct Mounted on Vertical Bracket

Features:

The 96mm Duct can be fixed to the worktop using vertical brackets. The Vertical Brackets provide a smaller footprint and give flexibility in the mounting position and avoid other items under the worktop.

Finishes:

Powder coat:



Cool White (Satin/ Matt/ Fine Texture) **Warm White** (Matt) **Cool Grey** (Satin/ Fine Texture) **Gum Grey** (Fine Texture) **Monument** (Matt) **Black** (Satin/ Matt/ Fine Texture)

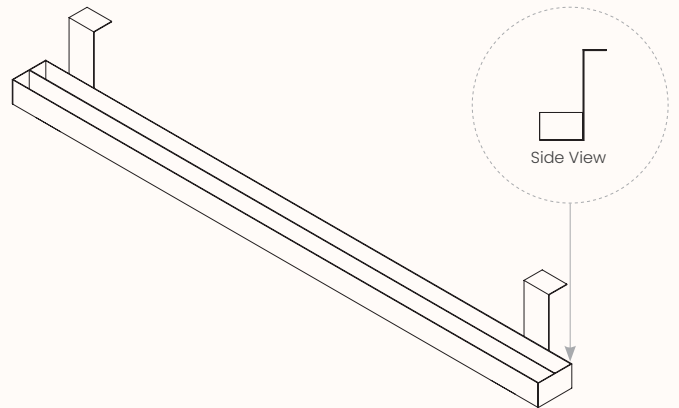


Chocolate (Matt/ Fine Texture) **Burnt Umber** (Matt/ Fine Texture) **Blush Pink** (Matt/ Fine Texture) **Rust** (Matt/ Fine Texture) **Sky Blue** (Matt/ Fine Texture) **Indigo** (Matt/ Fine Texture)



Olive (Matt/ Fine Texture)

Dimensions:



Length Range 500-2700mm
 Depth Range 149mm
 Overall Height 160mm

Cable Duct

Features:

The Cable Duct is a simple folded sheet metal part with variable sizing. The length, width, height and front flange height of the Cable Duct are variable. The Cable Ducts are compatible with all workstations/tables.

Finishes:

Powder coat:



Cool White (Satin/ Matt/ Fine Texture)	Warm White (Matt)	Cool Grey (Satin/ Fine Texture)	Gum Grey (Fine Texture)	Monument (Matt)	Black (Satin/ Matt/ Fine Texture)
---	-----------------------------	--	-----------------------------------	---------------------------	--

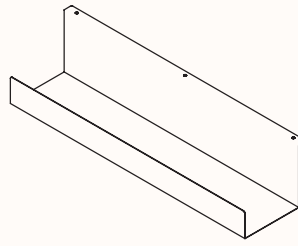


Chocolate (Matt/ Fine Texture)	Burnt Umber (Matt/ Fine Texture)	Blush Pink (Matt/ Fine Texture)	Rust (Matt/ Fine Texture)	Sky Blue (Matt/ Fine Texture)	Indigo (Matt/ Fine Texture)
---	---	--	--	--	--



Olive
(Matt/
Fine Texture)

Dimensions:



Length Range	min 300 to max 1250mm
Depth Range	min 90 to max 150mm
Overall Height	min 90 to max 150mm

Hinged Front Cable Box & 86mm Under Desk Box

Hinged Front Cable Box

Features:

The Cable Box is folded sheet metal and has a hinged door to give access to internal cabling. The door has a magnetic closure and there is a cutout at each end of the Cable Box for cables to pass through. The length, width and height of the Cable Box & hinged door are variable. The hinged-front Cable Boxes are compatible with all workstations/tables.

Finishes:

Powder coat:



Cool White (Satin/ Matt/ Fine Texture) **Warm White** (Matt) **Cool Grey** (Satin/ Fine Texture) **Gum Grey** (Fine Texture) **Monument** (Matt) **Black** (Satin/ Matt/ Fine Texture)

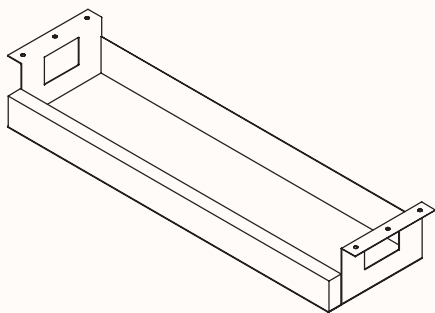


Chocolate (Matt/ Fine Texture) **Burnt Umber** (Matt/ Fine Texture) **Blush Pink** (Matt/ Fine Texture) **Rust** (Matt/ Fine Texture) **Sky Blue** (Matt/ Fine Texture) **Indigo** (Matt/ Fine Texture)



Olive (Matt/ Fine Texture)

Dimensions:



Length Range min 400 to max 1300mm
 Depth Range min 150 to max 300mm
 Overall Height min 90 to max 250mm

86mm Under Desk Box

Features:

The 86mm Cable Box suits 86mm sockets. There are 4 types of 86mm Cable Boxes: Single Row Type A, Single Row Type B, Double Row Type A, Double Row Type B.

For each type of 86mm cable box there are 3 standard sizes available: 410mm, 510mm, 610mm
 The 86mm cable boxes are compatible with all workstations/tables.

Finishes:

Powder coat:



Cool White (Satin/ Matt/ Fine Texture) **Warm White** (Matt) **Cool Grey** (Satin/ Fine Texture) **Gum Grey** (Fine Texture) **Monument** (Matt) **Black** (Satin/ Matt/ Fine Texture)

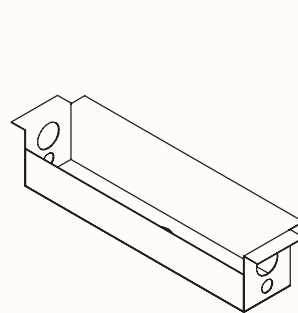


Chocolate (Matt/ Fine Texture) **Burnt Umber** (Matt/ Fine Texture) **Blush Pink** (Matt/ Fine Texture) **Rust** (Matt/ Fine Texture) **Sky Blue** (Matt/ Fine Texture) **Indigo** (Matt/ Fine Texture)



Olive (Matt/ Fine Texture)

Dimensions:



Length Range 410mm ; 510mm 610mm
 Depth Range 86mm

Cable Tray Open & Closed

Cable Tray Open

Features:

The Open Cable Tray is a folded & powder coated sheet metal tray and is available in two types – ‘flange in’ and ‘flange out’. The open Cable Tray has a range of fixed standard sizes.

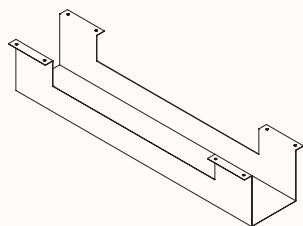
The Open Cable Tray can also be ordered as variable. For variable trays the length, width, height and flange height must be specified for each order. The ‘flange out’ variable tray has optional closed ends. The Open Cable Trays are compatible with all workstations/tables.

Finishes:

Powder coat:



Dimensions:



Length Range 520mm ; 800mm ; 1000mm
 Depth Range 150mm
 Overall Height 150mm

Cable Tray Closed

Features:

The Closed Cable Tray is a folded & powder coated sheet metal tray and is available in two types – ‘flange in’ and ‘flange out’. The ‘flange in’ type has a smaller footprint but requires two slots on the bottom face to give access to the fasteners. The ‘flange out’ type has a bigger footprint but has no slots on the bottom.

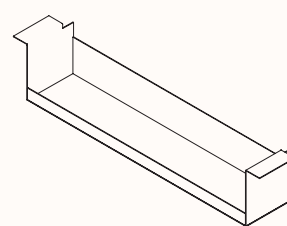
The length, width, height, front & back flange height of the Closed Cable Tray are variable and must be specified for each order. The Closed Cable Trays are compatible with all workstations/tables.

Finishes:

Powder coat:



Dimensions:



Length Range min 400 to max 1300mm
 Height Depth min 90 to max 250mm
 min 150 to max 300mm

96mm Powerblade

Features:

The 96mm Powerblade carries cables from the access floor to the 96mm duct. The 96mm duct can be fixed to the desk frame or the worktop (depending on the desk system). 96mm Powerblades are available in the following types:

- Silhouette 720H or 750H (suits any 96mm duct on Z-brackets or vertical brackets mounted to the worktop – therefore can be used on other desk frames such as Kissen, Epic Plus)

Finishes:

Powder coat:



Cool White (Satin/ Matt/ Fine Texture) **Warm White** (Matt) **Cool Grey** (Satin/ Fine Texture) **Gum Grey** (Fine Texture) **Monument** (Matt) **Black** (Satin/ Matt/ Fine Texture)

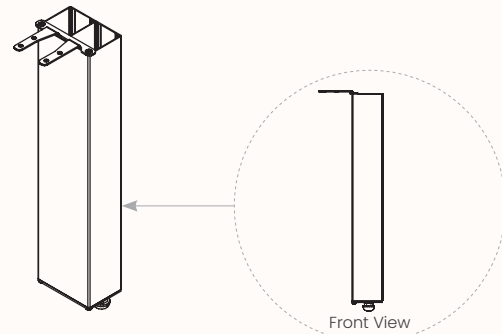


Chocolate (Matt/ Fine Texture) **Burnt Umber** (Matt/ Fine Texture) **Blush Pink** (Matt/ Fine Texture) **Rust** (Matt/ Fine Texture) **Sky Blue** (Matt/ Fine Texture) **Indigo** (Matt/ Fine Texture)



Olive (Matt/ Fine Texture)

Dimensions:



Length Range	96mm
Depth Range	60mm
Overall Height	Variable

Omni Duct Lite for Kissen Frame Mounted

Omni Duct Lite

Features:

The Omni Duct Lite (Frame Mounted) is a versatile cable tray which can hinge open in two directions to allow access to cabling.

Finishes:

Powder coat:



Cool White (Satin/ Matt/ Fine Texture)	Warm White (Matt)	Cool Grey (Satin/ Fine Texture)	Gum Grey (Fine Texture)	Monument (Matt)	Black (Satin/ Matt/ Fine Texture)
---	-----------------------------	--	-----------------------------------	---------------------------	--

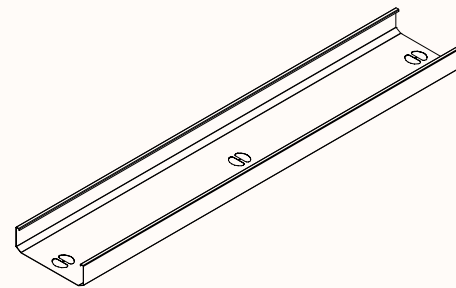


Chocolate (Matt/ Fine Texture)	Burnt Umber (Matt/ Fine Texture)	Blush Pink (Matt/ Fine Texture)	Rust (Matt/ Fine Texture)	Sky Blue (Matt/ Fine Texture)	Indigo (Matt/ Fine Texture)
---	---	--	--	--	--



Olive
(Matt/
Fine Texture)

Dimensions:



Length Range	Variable
Depth Range	300mm
Overall Height	88mm