

PRECINCT Screens



Features:

Precinct is a soft and frameless screen solution that is highly functional and aesthetically pleasing, creating clean and defined workspaces.

Worktop Mounted

- [Classic, Sweep & Elevated](#)
- [Curve One Way Fold LH & RH, Curve Two Way Fold](#)
- [Flex Double Return, Flex Single Return LH & RH](#)

Frame Mounted

- [Spine](#)
- [Spine & End](#)
- [Screen Arm](#)

On Desk

- [Hold on](#)
- [Fold me](#)

Design: ZENITH DESIGN STUDIO

Certification: GECA, PEFC

Warranty: 10 years

Finishes:

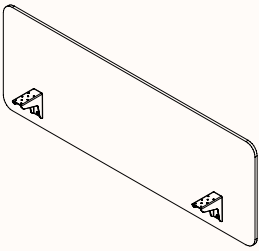
Upholstered in Zenith House Screen fabrics or COM
Refer to ZENITH House Screen fabrics for full range

Worktop Mounted Classic & Sweep

- 0 - 30mm screen gap required for Orbis, Rumba desks with Duct and/or Glovebox
- Cannot go to floor
- Cannot be used as end/return screens

Compatibility: All workstations with 25mm and 33mm worktops

Dimensions:

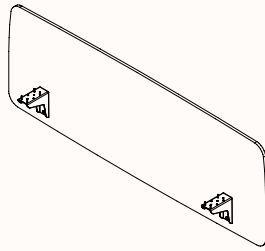


Classic

Thickness: 30mm
Width Range: 500mm - 2000mm
Height Range: 300mm - 800mm
Adjust the above / below height to suit

Screen Height Above Desk:
Min: 150mm
Max: 500mm

Screen Height Below Desk:
Min: 130mm

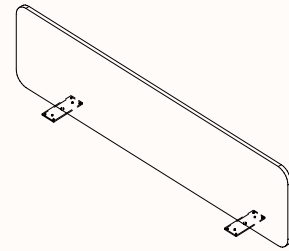


Sweep

Thickness: 30mm
Width Range: 500mm - 2000mm
Height Range: 300mm - 800mm
Adjust the above / below height to suit

Screen Height Above Desk:
Min: 150mm
Max: 500mm

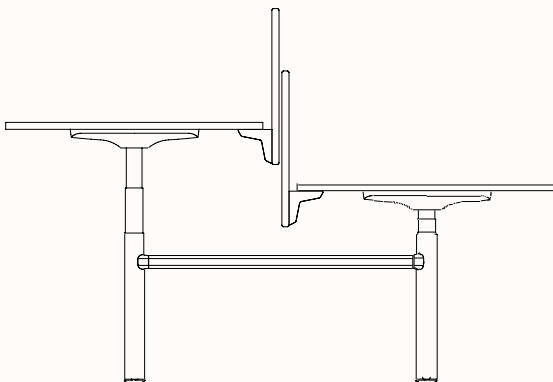
Screen Height Below Desk:
Min: 130mm



Elevated

Thickness: 30mm
Width Range: 1200mm - 2000mm
Height Range: 300mm - 500mm
Adjust the above / below height to suit

Screen Height Above Desk:
Min: 300mm
Max: 500mm



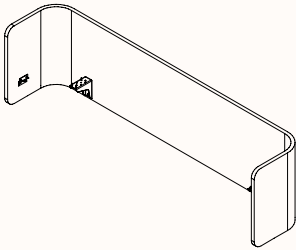
Leg profile indicative only

Worktop Mounted Curve

- One Way Ffold LH & RH and Two Way Fold
- 15 - 30mm screen gap required for Orbis, Rumba desks with Duct and/or Glovebox
- Worktop must have rear corners with 100mm radius
- Curve only around 90 ° corners
- Mounted only to 180 ° worktops

Compatibility: Orbis 180° pod of 2 and single desk, Rumba 180 ° single desk, Kissen 180 ° single desk with 25mm and 33mm worktops

Dimensions:



Curve- Two Way Fold

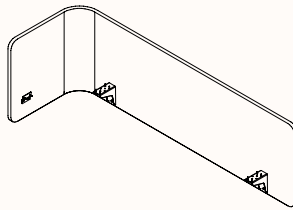
Thickness: 30mm
 Length Range: 1200mm - 2400mm
 Return Length Range: 300mm - 500mm
 Height: Max 800mm

Screen Height Above Desk:

Min: 150mm
 Max: 500mm

Screen Height Below Desk:

Min: 130mm



Curve- One Way Fold LH

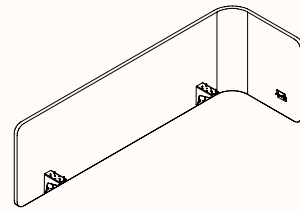
Thickness: 30mm
 Length Range: 1200mm - 2400mm
 Return Length Range: 300mm - 800mm
 Height: Max 800mm

Screen Height Above Desk:

Min: 150mm
 Max: 500mm

Screen Height Below Desk:

Min: 130mm



Curve- One Way Fold RH

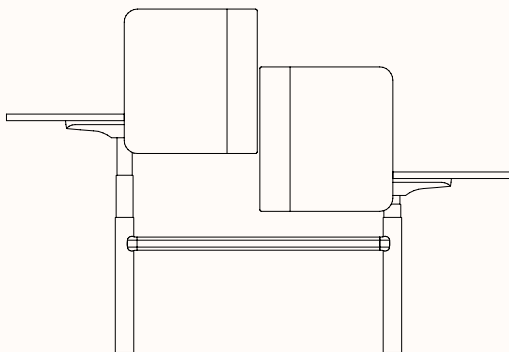
Thickness: 30mm
 Length Range: 1200mm - 2400mm
 Return Length Range: 300mm - 800mm
 Height: Max 800mm

Screen Height Above Desk:

Min: 150mm
 Max: 500mm

Screen Height Below Desk:

Min: 130mm



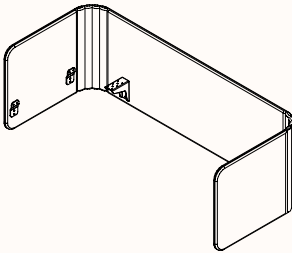
Leg profile indicative only

Worktop Mounted Flex

- Double Return, Single Return LH & RH
- Screen gap 12mm
- Compatible with Worktop can have square rear corners or 100mm radius
- Cannot go to floor

Compatibility: Orbis 180° pod of 2 and single desk, Rumba 180° single desk, Rumba 180° pod of 2 fixed height, Kissen 180° single desk with 25mm and 33mm worktops

Dimensions:



Flex - Double Return

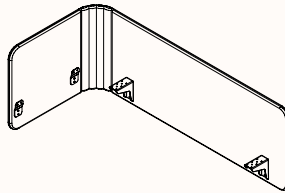
Thickness: 30mm
 Length Range: 1200mm - 2400mm
 Return Length Range: 300mm - 800mm
 Height: Max 1025mm

Screen Height Above Desk:

Min: 150mm
 Max: 500mm

Screen Height Below Desk:

Min: 130mm
 Min: 500mm



Flex - Single Return LH

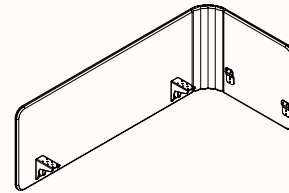
Thickness: 30mm
 Length Range: 1200mm - 2400mm
 Return Length Range: 300mm
 Height: Max 1025mm

Screen Height Above Desk:

Min: 150mm
 Max: 500mm

Screen Height Below Desk:

Min: 130mm
 Min: 500mm



Flex - Single Return RH

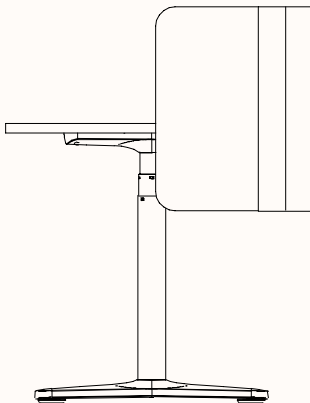
Thickness: 30mm
 Length Range: 1200mm - 2400mm
 Return Length Range: 300mm
 Height: Max 1025mm

Screen Height Above Desk:

Min: 150mm
 Max: 500mm

Screen Height Below Desk:

Min: 130mm
 Min: 500mm



Leg profile indicative only

Frame Mounted Spine

- 0 – 30mm screen gap
- Classic & Sweep shape
- Cannot go to floor
- Fixed to crossbeam
- The optional spine raiser lifts the bottom of the screen up above the workstation crossbeam to reduce the Screen Actual Height and improve the clearance to the cable duct. The spine raiser for Orbis = 166mm high, and for Rumba / Orbis-E = 100mm high.

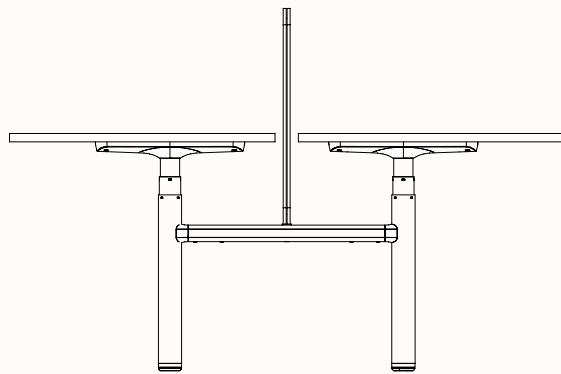
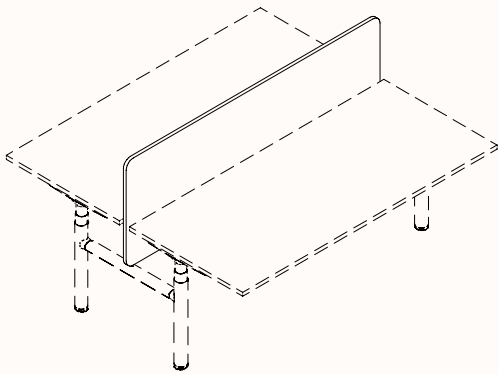
Compatibility:

Orbis 180° pod of 2, Orbis 90° pod of 2-T, Orbis 90° pod of 4-X, Orbis-E 180° pod of 2

Rumba 180° pod of 2, Rumba 90° pod of 2-T, Rumba 90° pod of 4-X

Note – Rumba with crossbeam

Dimensions:



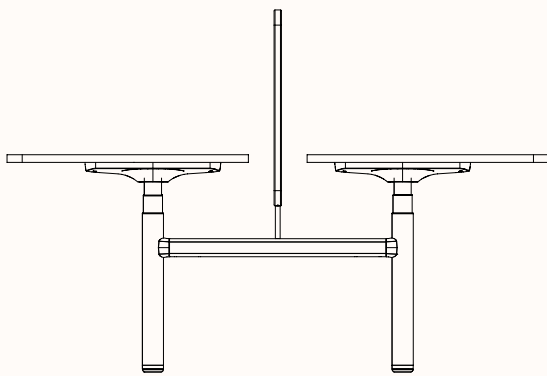
Leg profile indicative only

Spine

Thickness: 30mm

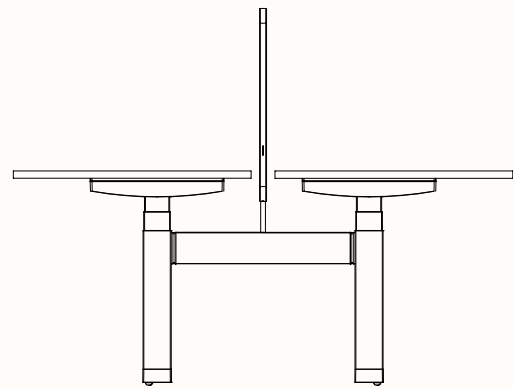
Length Range: Min 1200mm - Max 2000mm
(Must equal frame length)

Height: Min 900mm - Max 1250mm



Orbis Spine Raiser

To suit ORBIS 50X60 X-Beams & 60X60 X-Beams



Rumba Spine Raiser

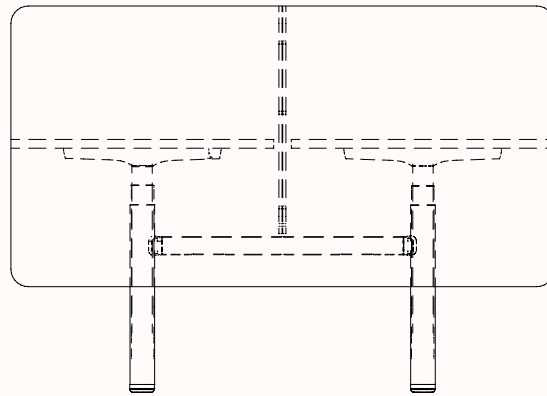
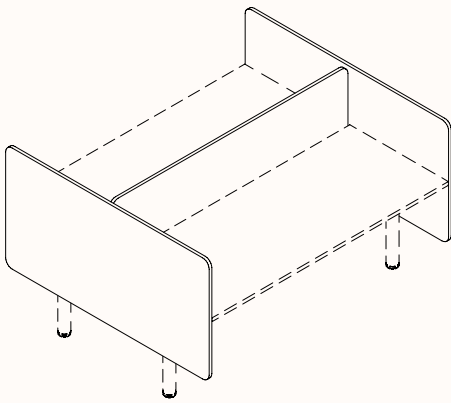
To suit RUMBA X-Beams

Frame Mounted Spine & End

- 0 – 30mm screen gap
- Classic shape
- Cannot go to floor
- Fixed to crossbeam
- End screen quantity: one or two ends
- Spine & End screens must be the same overall height

Compatibility: Orbis 180° pod of 2 & Rumba 180 ° pod of 2

Dimensions:



Leg profile indicative only

Spine & End

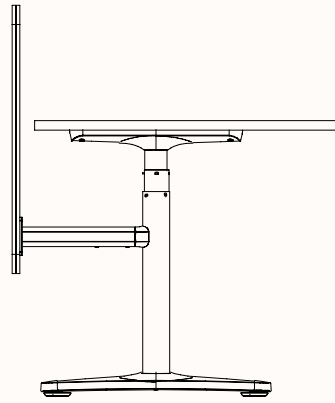
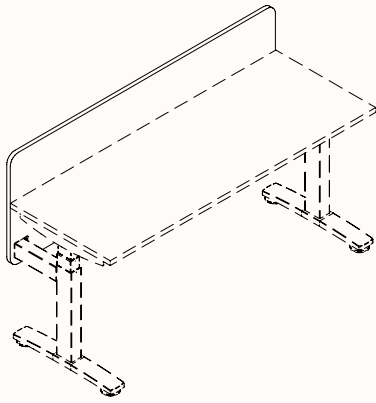
Thickness:	30mm
Spine Length Range:	1200mm - 2000mm (Must equal frame length)
Spine Height:	Min 900mm - Max 1250mm
End Screen Length:	Must equal frame depth
End Height Range:	Min 200 - Max 310mm

Frame Mounted Screen Arm

- 0 – 30mm Screen gap
- Classic & Sweep shape
- Cannot go to floor

Compatibility: Orbis 180° single, Orbis 90° 2 end & Orbis 90° 3 end,
Rumba 180° single, Rumba 90° 2 end & Rumba 90° 3 end

Dimensions:

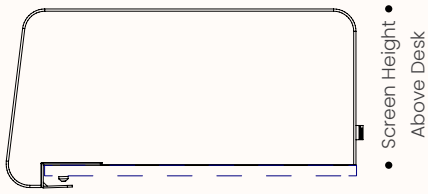


Leg profile indicative only

Screen Arm

Thickness: 30mm
Length Range: 1200mm – 2000mm
(Must equal frame length)
Height Range: 900mm – 1200mm

On Desk Screens



•83• 600 - 900 •

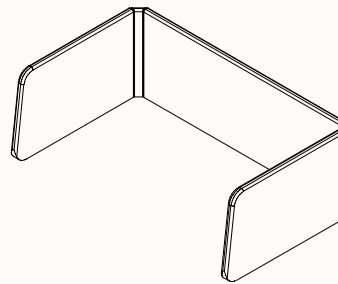
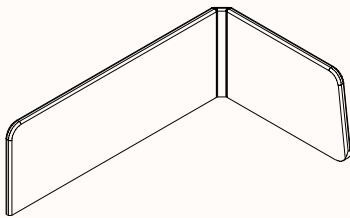
Hold On

Screen Height Above Desk:

Min: 200mm

Max: 600mm

Worktop Thickness: 25/33mm



Fold Me - One Fold

Screen Length: 800 or 1000mm

Return Length: 300 - 600mm

Screen Height: 350mm

Fold Me - Two Fold

Screen Length: 800 or 1000mm

Return Length: 300 - 600mm

Screen Height: 350mm