

Cable Management



CONTENTS:

Cable Hub	2
Glovebox	4
Wire Basket	5
Services Mounting Plate	6
Cable Sleeve	7
Cable Tractor	9
Cable Cover	10
Rectangular Umbilical	11
96mm Duct Mounted on Z Bracket	12
96mm Duct Mounted on Vertical Bracket	12
Omni Duct	13
Cable Duct	14
Hinged Front Cable Box	15
86mm Cable Box (Fixed Height)	16
86mm Cable Box (Variable Size)	17
Cable Tray Open & Closed	18
Top Mount Plates	19
Worktop Mount Duct	20
Omni Duct lite for Kissen	21

Cable Hub – 500mm

Features:

The Cable Hub has two sets of mounting brackets at each end and can be fixed to the worktop at two different heights. Please ensure it will not clash with other items fixed underneath the worktop such as table support beams or in-desk boxes.

Options:

- Cable Hub
- Cable Hub with Cable Sleeve
- Cable Hub with Tractor

Finishes:

100% Recyclable PET:



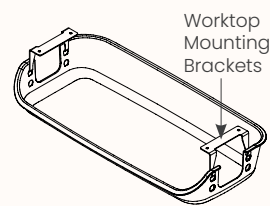
Mid-Grey

Powder coated Mounting Brackets:



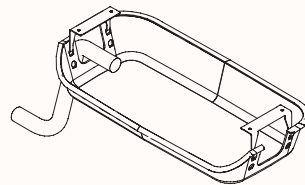
Black
(Fine Texture)

Dimensions:



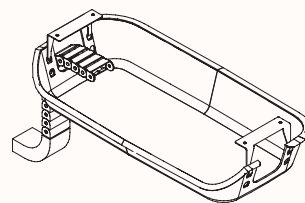
Cable Hub

Length Range	530mm
	500mm (Internal)
Depth Range	250mm
Overall Height	100mm ; 125mm



Cable Hub with Cable Sleeve

Length Range	530mm
	500mm (Internal)
Depth Range	250mm
Overall Height	100mm ; 125mm



Cable Hub with Tractor

Length Range	530mm
	500mm (Internal)
Depth Range	250mm
Overall Height	100mm ; 125mm

Cable Hub – 950mm

Features:

The Cable Hub has two sets of mounting brackets at each end and can be fixed to the worktop. Please ensure it will not clash with other items fixed underneath the worktop such as table support beams or in-desk boxes.

Options:

- Cable Hub
- Cable Hub with cable sleeve
- Cable Hub with Tractor

Finishes:

100% Recyclable PET:



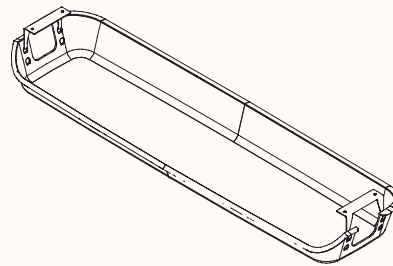
Mid-Grey

Powder coated Mounting Brackets:



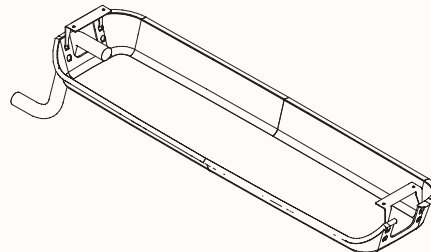
Black
(Fine Texture)

Dimensions:



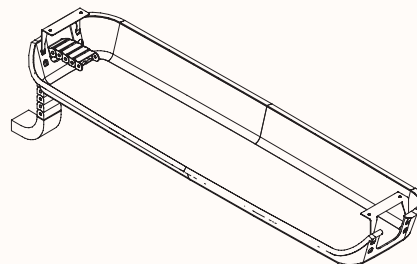
Cable Hub

Length Range	980mm 950mm (Internal)
Depth Range	250mm
Overall Height	100mm ; 125mm



Cable Hub with Cable Sleeve

Length Range	980mm 950mm (Internal)
Depth Range	250mm
Overall Height	100mm ; 125mm



Cable Hub with Tractor

Length Range	980mm 950mm (Internal)
Depth Range	250mm
Overall Height	100mm ; 125mm

Glovebox

Glovebox with or without Power Plate

Features:

The Glovebox is a formed PET cable dump in a fixed size. A low cost and less capacity alternative to the power plate is to order the Glovebox 'without power plate' and then separately order the Services Mount Plate.

Options:

- Power plate for housing CMS soft wiring sockets

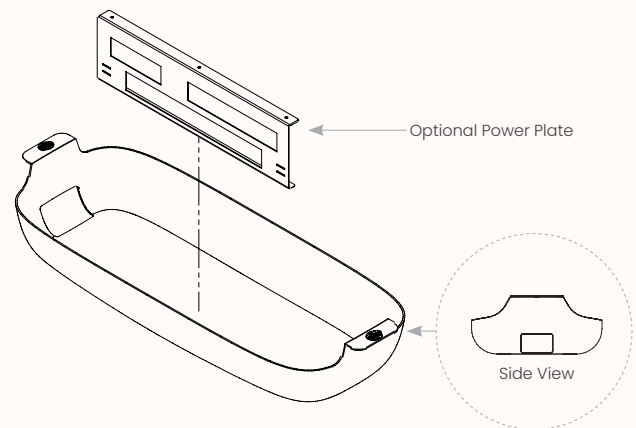
Finishes:

100% Recyclable PET:



Mid-Grey

Dimensions:



Length Range	876mm
Depth Range	325mm
Overall Height	152mm

Wire Basket

Wire Basket - 950mm

Features:

Wire Baskets are made of wire mesh folded into a range of standard basket sizes. The worktop mounting brackets are welded to the mesh and the basket is then powder coated. The basket height/depth depends on the worktop mounting brackets.

Options:

- Single Sided
- Double Sided

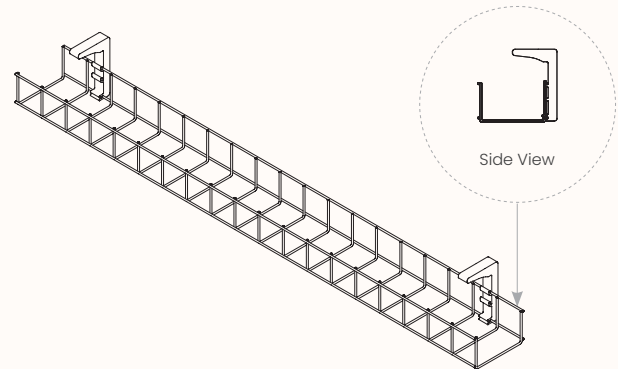
Finishes:

Powder coat:



Cool White
(Satin)

Dimensions:



Length Range	950mm
Depth Range	50mm
Overall Height	50mm

Services Mounting Plate

Features:

The Services Mount Plate is a simple folded sheet metal part to suit required power and data softwiring outlets. The overall plate size is fixed, and are available two types of plates – dual and quad.

Options:

- Dual plate fit 2x data and 2x GPO
- Quad plate can fit 2x data and 4x GPO

Finishes:

Powder coat:



Cool White (Satin/ Matt/ Fine Texture)	Warm White (Matt)	Cool Grey (Satin/ Fine Texture)	Gum Grey (Fine Texture)	Monument (Matt)	Black (Satin/ Matt/ Fine Texture)
---	-----------------------------	--	-----------------------------------	---------------------------	--

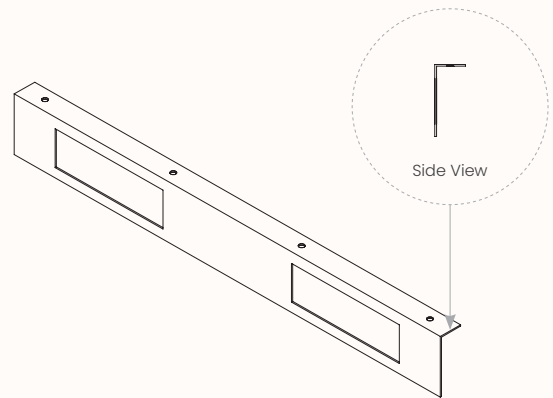


Chocolate (Matt/ Fine Texture)	Burnt Umber (Matt/ Fine Texture)	Blush Pink (Matt/ Fine Texture)	Rust (Matt/ Fine Texture)	Sky Blue (Matt/ Fine Texture)	Indigo (Matt/ Fine Texture)
---	---	--	--	--	--



Olive
(Matt/
Fine Texture)

Dimensions:



Length Range	520mm
Depth Range	25mm
Overall Height	65mm

Cable Sleeve

Features:

The Cable Sleeve brings the cabling neatly up from the underside of the desktop to the cable tray or floor. It pairs perfectly with the 'Felt Basket & Cable Hub', but can also be used independently. The Sleeve is a textured fabric and can safely hold 1 x Power and 2 x Data cables.

Options:

- With or without Felt Basket

Finishes:

Fabric:



Black

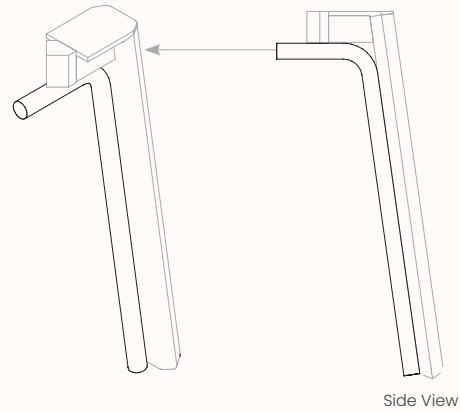


Grey



White

Dimensions:



Length Range	25mm
Depth Range	1mm
Overall Height	1000mm

Cable Sleeve with ABS

Features:

The braided Cable Sleeve cleverly conceals the under desk cabling on all Zenith workstations. Designed with a loop at each end to attach the sleeve to the worktop and ducting or floor. Each sleeve can house a maximum of 2 power and 5 data cables. The Sleeve is a textured fabric with a matching ABS guide. It is located inside the braided Cable Sleeve to stiffen the fabric giving it a more rigid appearance. The ABS strip can be removed if desired.

Finishes:

Fabric:



Black

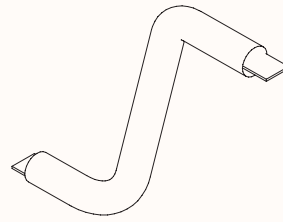


Grey



White

Dimensions:



DIA	25mm
Length Range	1000mm

Cable Tractor

Features:

The Cable Tractor carries cables from the duct to the worktop and is mainly suited to height adjustable desks. It comes with end brackets and fasteners and has no internal segregation.

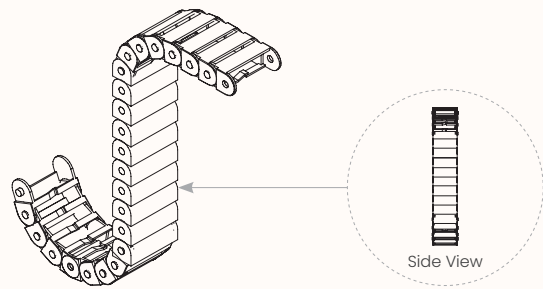
Finishes:

Powder coat:



White

Dimensions:



Length Range	50mm
Depth Range	20mm
Overall Height	1000mm

Cable Cover

Features:

The cable cover carries cables from the floor up the workstation/table leg to the underside of the worktop. Plastic clips are screw-fixed to the leg, and an extruded cover pushes on over the cables.

Options:

- Can hold up to 3 power cables or 6 data cables

Finishes:

Plastic Clip: Black Matte

Powder coat:



Cool White (Satin/ Matt/ Fine Texture) **Warm White** (Matt) **Cool Grey** (Satin/ Fine Texture) **Gum Grey** (Fine Texture) **Monument** (Matt) **Black** (Satin/ Matt/ Fine Texture)



Chocolate (Matt/ Fine Texture) **Burnt Umber** (Matt/ Fine Texture) **Blush Pink** (Matt/ Fine Texture) **Rust** (Matt/ Fine Texture) **Sky Blue** (Matt/ Fine Texture) **Indigo** (Matt/ Fine Texture)



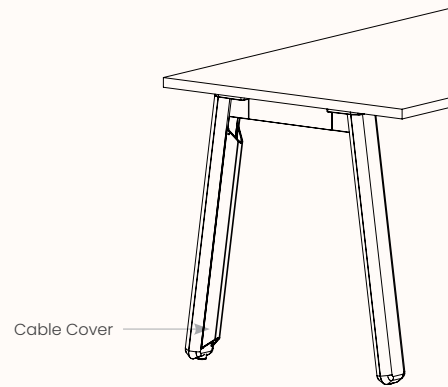
Olive
(Matt/ Fine Texture)

Timber:



Oak Vinyl

Dimensions:



Length Range 49mm
Depth Range 34mm
Overall Height Calculated to suit table/workstation
type & height

Rectangular Umbilical

Features:

The Rectangular Umbilical carries cables from the duct to the worktop and is mainly suited to height adjustable desks. There are two types of mounting brackets to suit different desk systems:

Rectangular Umbilical – Vertical Cable Management

The Rectangular Umbilical carries cables from the access floor to the worktop and comes with a floor base at one end and a worktop mounting bracket at the other end. The umbilical comes in a variety of lengths to suit different desk applications:

- 750mm L (suits 720 / 750H fixed height desks)
- 900mm L (suits 900H fixed height desks)
- 1050mm L (suits 1050H fixed height desks)
- 1230mm L (suits electric adjust desks)

The umbilical segment is approx. 68mm x 36mm and has internal segregation into 4 compartments.

Finishes:

Powder coat:



White

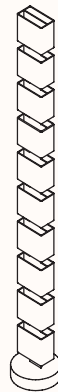


Black



Silver

Dimensions:



Length Range	68mm
Depth Range	36mm
Overall Height	750/900/1000/1050/1230mm

96mm Duct Mounted on Z Bracket / Vertical Bracket

96mm Duct Mounted on Z Bracket

Features:

The 96mm Duct can be fixed to the worktop using Z-brackets. The Z-brackets offset the duct to give flexibility in the mounting position and avoid other items under the worktop.

Finishes:

Powder coat:



Cool White (Satin/ Matt/ Fine Texture) **Warm White** (Matt) **Cool Grey** (Satin/ Fine Texture) **Gum Grey** (Fine Texture) **Monument** (Matt) **Black** (Satin/ Matt/ Fine Texture)

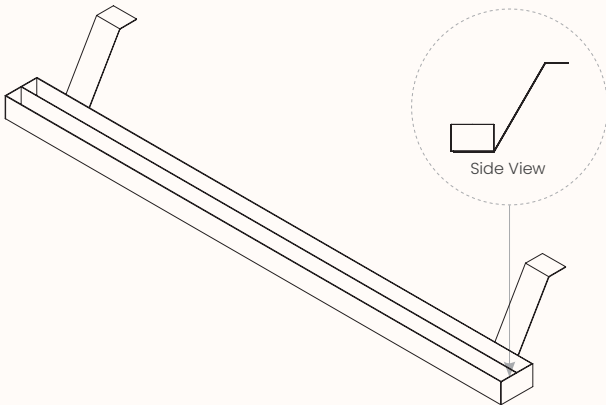


Chocolate (Matt/ Fine Texture) **Burnt Umber** (Matt/ Fine Texture) **Blush Pink** (Matt/ Fine Texture) **Rust** (Matt/ Fine Texture) **Sky Blue** (Matt/ Fine Texture) **Indigo** (Matt/ Fine Texture)



Olive (Matt/ Fine Texture)

Dimensions:



Length Range 500-2700mm
 Depth Range 236mm
 Overall Height 160mm

96mm Duct Mounted on Vertical Bracket

Features:

The 96mm Duct can be fixed to the worktop using vertical brackets. The Vertical Brackets provide a smaller footprint and give flexibility in the mounting position and avoid other items under the worktop.

Finishes:

Powder coat:



Cool White (Satin/ Matt/ Fine Texture) **Warm White** (Matt) **Cool Grey** (Satin/ Fine Texture) **Gum Grey** (Fine Texture) **Monument** (Matt) **Black** (Satin/ Matt/ Fine Texture)

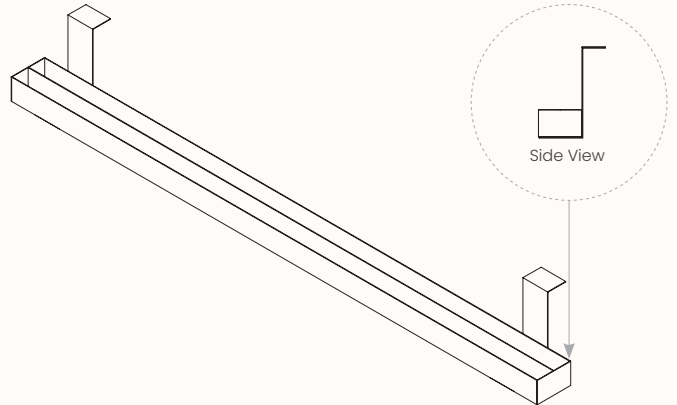


Chocolate (Matt/ Fine Texture) **Burnt Umber** (Matt/ Fine Texture) **Blush Pink** (Matt/ Fine Texture) **Rust** (Matt/ Fine Texture) **Sky Blue** (Matt/ Fine Texture) **Indigo** (Matt/ Fine Texture)



Olive (Matt/ Fine Texture)

Dimensions:



Length Range 500-2700mm
 Depth Range 149mm
 Overall Height 160mm

Omni Duct

Omni Duct

Features:

Omni Duct has 3 rows of formed detail in the tray so that power and data can be segregated in the separate rows. Double or Quad GPO Inserts clip into Omni Duct.

Options:

- Cable Divider can be specified for physical separation in Omni Duct
- With or without plates

Finishes:

Powder coat:



Cool White (Satin/ Matt/ Fine Texture)	Warm White (Matt)	Cool Grey (Satin/ Fine Texture)	Gum Grey (Fine Texture)	Monument (Matt)	Black (Satin/ Matt/ Fine Texture)
---	-----------------------------	--	-----------------------------------	---------------------------	--

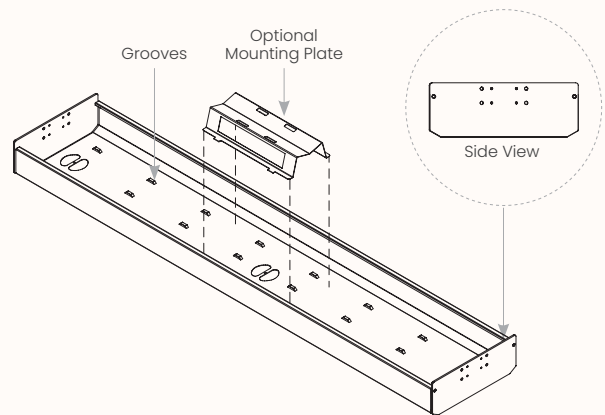


Chocolate (Matt/ Fine Texture)	Burnt Umber (Matt/ Fine Texture)	Blush Pink (Matt/ Fine Texture)	Rust (Matt/ Fine Texture)	Sky Blue (Matt/ Fine Texture)	Indigo (Matt/ Fine Texture)
---	---	--	--	--	--



Olive
(Matt/
Fine Texture)

Dimensions:



Length Range	Variable
Depth Range	300mm
Overall Height	88mm

Cable Duct

Features:

The Cable Duct is a simple folded sheet metal part with variable sizing. The length, width, height and front flange height of the Cable Duct are variable. The Cable Ducts are compatible with all workstations/tables.

Finishes:

Powder coat:



Cool White (Satin/ Matt/ Fine Texture)	Warm White (Matt)	Cool Grey (Satin/ Fine Texture)	Gum Grey (Fine Texture)	Monument (Matt)	Black (Satin/ Matt/ Fine Texture)
---	-----------------------------	--	-----------------------------------	---------------------------	--

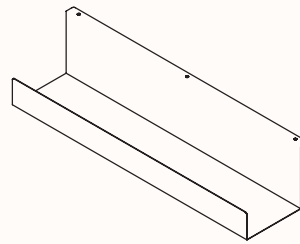


Chocolate (Matt/ Fine Texture)	Burnt Umber (Matt/ Fine Texture)	Blush Pink (Matt/ Fine Texture)	Rust (Matt/ Fine Texture)	Sky Blue (Matt/ Fine Texture)	Indigo (Matt/ Fine Texture)
---	---	--	--	--	--



Olive
(Matt/
Fine Texture)

Dimensions:



Length Range	min 300 to max 1250mm
Depth Range	min 90 to max 150mm
Overall Height	min 90 to max 150mm

Hinged Front Cable Box

Hinged Front Cable Box

Features:

The Cable Box is folded sheet metal and has a hinged door to give access to internal cabling. The door has a magnetic closure and there is a cutout at each end of the Cable Box for cables to pass through. The length, width and height of the Cable Box & hinged door are variable. The hinged-front Cable Boxes are compatible with all workstations/tables.

Finishes:

Powder coat:



Cool White (Satin/ Matt/ Fine Texture)	Warm White (Matt)	Cool Grey (Satin/ Fine Texture)	Gum Grey (Fine Texture)	Monument (Matt)	Black (Satin/ Matt/ Fine Texture)
---	-----------------------------	--	-----------------------------------	---------------------------	--

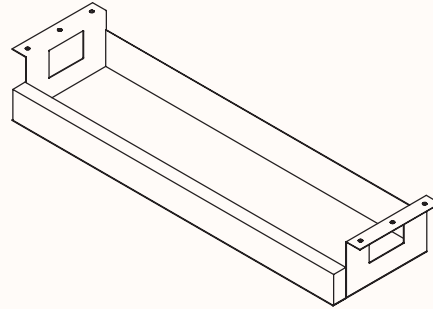


Chocolate (Matt/ Fine Texture)	Burnt Umber (Matt/ Fine Texture)	Blush Pink (Matt/ Fine Texture)	Rust (Matt/ Fine Texture)	Sky Blue (Matt/ Fine Texture)	Indigo (Matt/ Fine Texture)
---	---	--	--	--	--



Olive
(Matt/
Fine Texture)

Dimensions:



Length Range	min 400 to max 1300mm
Depth Range	min 150 to max 300mm
Overall Height	min 90 to max 250mm

86mm Cable Box (Fixed Size)

Features:

The 86mm Cable Box suits 86mm sockets.

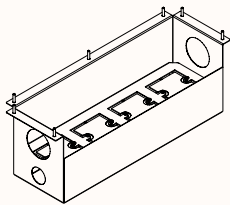
There are 4 types of 86mm Cable Boxes:

Single Row Type A, Single Row Type B, Double Row Type A, Double Row Type B.

For each type of 86mm cable box there are 4 standard sizes available: 310mm, 410mm, 510mm, 610mm

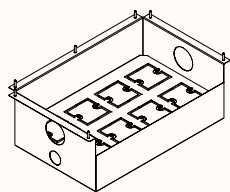
The 86mm cable boxes are compatible with all workstations/tables.

Dimensions:



Single Row - Type A: 3, 4, 5 or 6 sockets

Length Range	310mm / 410mm / 510mm / 610mm
Depth Range	150mm
Height Range	150mm

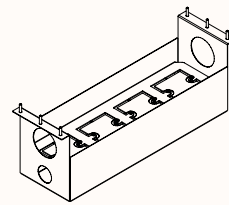


Double Row - Type A: 6, 8, 10, or 12 sockets

Length Range	310mm / 410mm / 510mm / 610mm
Depth Range	260mm
Height Range	150mm

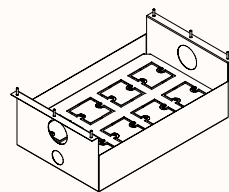
Finishes:

Powder coat:



Single Row - Type B: 3, 4, 5 or 6 sockets

Length Range	310mm / 410mm / 510mm / 610mm
Depth Range	130mm
Height Range	150mm



Double Row - Type B: 6, 8, 10, or 12 sockets

Length Range	310mm / 410mm / 510mm / 610mm
Depth Range	260mm
Height Range	150mm

86mm Cable Box (Variable Size)

86mm Under Desk Box (Variable Size)

Features:

The 86mm Cable Box suits 86mm sockets.

There are 3 types of 86mm Cable Boxes:

Single Row Type A, Single Row Type B, Double Row Type B.

For each type, it comes in various sockets. The 86mm cable boxes are compatible with all workstations/tables.


The Single Row boxes can have the sockets assembled on the LH or RH end. The Double Row box has the sockets assembled to the centre.

Dimensions:

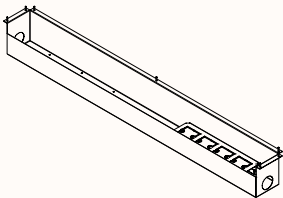
Length Range	710-1400mm
Depth Range	130-250mm
Height Range	100-250mm

Finishes:

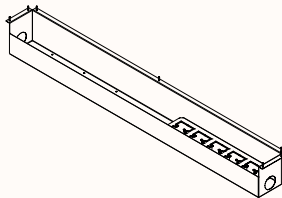
Powder coat:

					
Cool White (Satin/ Matt/ Fine Texture)	Warm White (Matt)	Cool Grey (Satin/ Fine Texture)	Gum Grey (Fine Texture)	Monument (Matt)	Black (Satin/ Matt/ Fine Texture)
					
Chocolate (Matt/ Fine Texture)	Burnt Umber (Matt/ Fine Texture)	Blush Pink (Matt/ Fine Texture)	Rust (Matt/ Fine Texture)	Sky Blue (Matt/ Fine Texture)	Indigo (Matt/ Fine Texture)
					
Olive (Matt/ Fine Texture)					

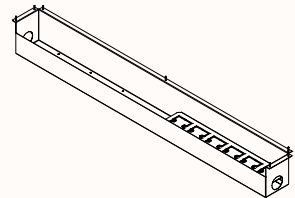
Single Row - Type A:



4 Sockets

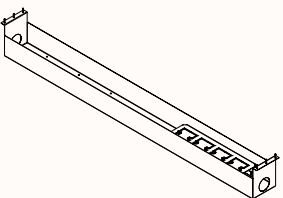


5 Sockets

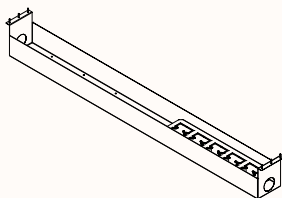


6 Sockets

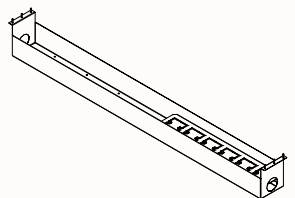
Single Row - Type B:



4 Sockets

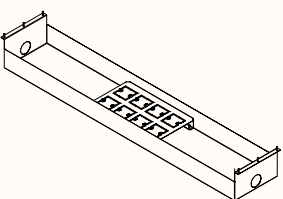


5 Sockets

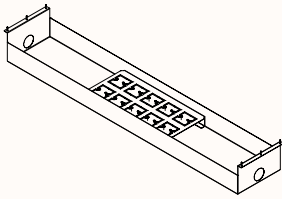


6 Sockets

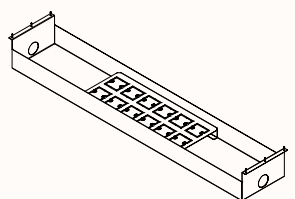
Double Row - Type B:



8 Sockets



10 Sockets



12 Sockets

Cable Tray Open & Closed

Cable Tray Open

Features:

The Open Cable Tray is a folded & powder coated sheet metal tray and is available in two types – ‘flange in’ and ‘flange out’. The open Cable Tray has a range of fixed standard sizes.

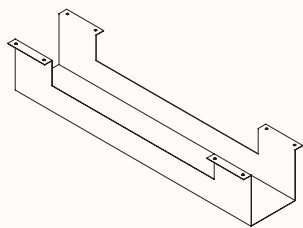
The Open Cable Tray can also be ordered as variable. For variable trays the length, width, height and flange height must be specified for each order. The ‘flange out’ variable tray has optional closed ends. The Open Cable Trays are compatible with all workstations/tables.

Finishes:

Powder coat:

					
Cool White <small>(Satin/ Matt/ Fine Texture)</small>	Warm White <small>(Matt)</small>	Cool Grey <small>(Satin/ Fine Texture)</small>	Gum Grey <small>(Fine Texture)</small>	Monument <small>(Matt)</small>	Black <small>(Satin/ Matt/ Fine Texture)</small>
					
Chocolate <small>(Matt/ Fine Texture)</small>	Burnt Umber <small>(Matt/ Fine Texture)</small>	Blush Pink <small>(Matt/ Fine Texture)</small>	Rust <small>(Matt/ Fine Texture)</small>	Sky Blue <small>(Matt/ Fine Texture)</small>	Indigo <small>(Matt/ Fine Texture)</small>
					
Olive <small>(Matt/ Fine Texture)</small>					

Dimensions:



Length Range 520mm ; 800mm ; 1000mm
 Depth Range 150mm
 Overall Height 150mm

Cable Tray Closed

Features:

The Closed Cable Tray is a folded & powder coated sheet metal tray and is available in two types – ‘flange in’ and ‘flange out’. The ‘flange in’ type has a smaller footprint but requires two slots on the bottom face to give access to the fasteners. The ‘flange out’ type has a bigger footprint but has no slots on the bottom.

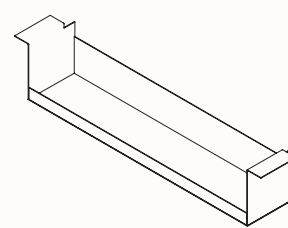
The length, width, height, front & back flange height of the Closed Cable Tray are variable and must be specified for each order. The Closed Cable Trays are compatible with all workstations/tables.

Finishes:

Powder coat:

					
Cool White <small>(Satin/ Matt/ Fine Texture)</small>	Warm White <small>(Matt)</small>	Cool Grey <small>(Satin/ Fine Texture)</small>	Gum Grey <small>(Fine Texture)</small>	Monument <small>(Matt)</small>	Black <small>(Satin/ Matt/ Fine Texture)</small>
					
Chocolate <small>(Matt/ Fine Texture)</small>	Burnt Umber <small>(Matt/ Fine Texture)</small>	Blush Pink <small>(Matt/ Fine Texture)</small>	Rust <small>(Matt/ Fine Texture)</small>	Sky Blue <small>(Matt/ Fine Texture)</small>	Indigo <small>(Matt/ Fine Texture)</small>
					
Olive <small>(Matt/ Fine Texture)</small>					

Dimensions:



Length Range min 400 to max 1300mm
 Height Depth min 90 to max 250mm
 min 150 to max 300mm

Top Mount Plates

Features:

Top Mount Plates are folded sheet metal parts which fix to the underside of the worktop to house power/data outlets. The Top Mount Plates are designed to seamlessly integrate with other cable management products such as the Worktop Mount Duct.

Finishes:

Powder coat:



Cool White (Satin/ Matt/ Fine Texture)	Warm White (Matt)	Cool Grey (Satin/ Fine Texture)	Gum Grey (Fine Texture)	Monument (Matt)	Black (Satin/ Matt/ Fine Texture)
---	-----------------------------	--	-----------------------------------	---------------------------	--

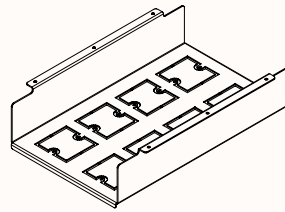


Chocolate (Matt/ Fine Texture)	Burnt Umber (Matt/ Fine Texture)	Blush Pink (Matt/ Fine Texture)	Rust (Matt/ Fine Texture)	Sky Blue (Matt/ Fine Texture)	Indigo (Matt/ Fine Texture)
---	---	--	--	--	--



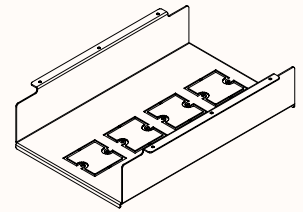
Olive
(Matt/
Fine Texture)

Dimensions:



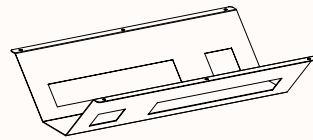
TMP3C 86mm Socket x 8

Length Range	416mm
Depth Range	286mm
Height Range	98mm



TMP2C 86mm Socket x 4

Length Range	416mm
Depth Range	286mm
Height Range	98mm



CMS/Elsafe TMP1A 2x Quad GPO & 2x Data

Length Range	410mm
Depth Range	284mm
Height Range	90mm

Worktop Mount Duct (With & Without Powerblade)

Worktop Mount Duct with Powerblade

Features:

The Worktop Mount Duct with powerblade is a simple folded steel cable tray with an integrated powerblade at one end. The duct and powerblade fix to the underside of the worktop, and the internal cover of the powerblade is removable. The duct is compatible with the Top Mount Plates.

Finishes:

Powder coat:



Cool White (Satin/ Matt/ Fine Texture) **Warm White** (Matt) **Cool Grey** (Satin/ Fine Texture) **Gum Grey** (Fine Texture) **Monument** (Matt) **Black** (Satin/ Matt/ Fine Texture)

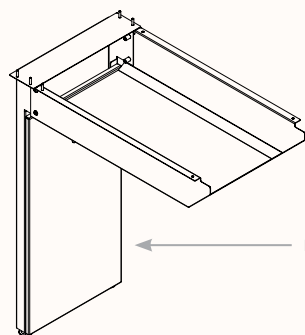


Chocolate (Matt/ Fine Texture) **Burnt Umber** (Matt/ Fine Texture) **Blush Pink** (Matt/ Fine Texture) **Rust** (Matt/ Fine Texture) **Sky Blue** (Matt/ Fine Texture) **Indigo** (Matt/ Fine Texture)



Olive (Matt/ Fine Texture)

Dimensions:



Removable Cover

Length Range 598mm
 Depth Range 330mm
 Duct Height 110mm to suit CMS/Elsafe top mount plates
 160mm to suit 86mm socket top mount plates
 Powerblade Height Desk/table height – worktop thickness

Worktop Mount Duct without Powerblade

Features:

The Worktop Mount Duct without powerblade is a simple folded steel cable tray compatible with multiple different power/data requirements and other cable management products such as the Top Mount Plates. The underside of the duct comes with attachment points for an umbilical to the floor.

Finishes:

Powder coat:



Cool White (Satin/ Matt/ Fine Texture) **Warm White** (Matt) **Cool Grey** (Satin/ Fine Texture) **Gum Grey** (Fine Texture) **Monument** (Matt) **Black** (Satin/ Matt/ Fine Texture)

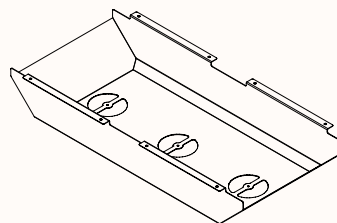


Chocolate (Matt/ Fine Texture) **Burnt Umber** (Matt/ Fine Texture) **Blush Pink** (Matt/ Fine Texture) **Rust** (Matt/ Fine Texture) **Sky Blue** (Matt/ Fine Texture) **Indigo** (Matt/ Fine Texture)



Olive (Matt/ Fine Texture)

Dimensions:



Length Range 660mm
 Depth Range 324mm
 Overall Height 110mm to suit CMS/Elsafe top mount plates
 160mm to suit 86mm socket top mount plates

Omni Duct Lite for Kissen Frame Mounted

Omni Duct Lite

Features:

The Omni Duct Lite (Frame Mounted) is a versatile cable tray which can hinge open in two directions to allow access to cabling.

Finishes:

Powder coat:



Cool White (Satin/ Matt/ Fine Texture)	Warm White (Matt)	Cool Grey (Satin/ Fine Texture)	Gum Grey (Fine Texture)	Monument (Matt)	Black (Satin/ Matt/ Fine Texture)
---	-----------------------------	--	-----------------------------------	---------------------------	--

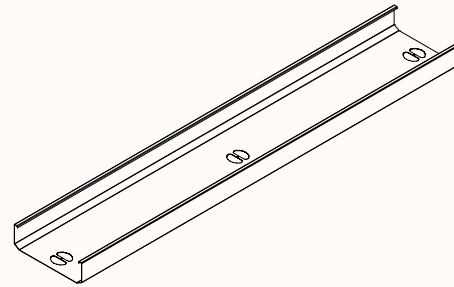


Chocolate (Matt/ Fine Texture)	Burnt Umber (Matt/ Fine Texture)	Blush Pink (Matt/ Fine Texture)	Rust (Matt/ Fine Texture)	Sky Blue (Matt/ Fine Texture)	Indigo (Matt/ Fine Texture)
---	---	--	--	--	--



Olive
(Matt/
Fine Texture)

Dimensions:



Length Range	Variable
Depth Range	300mm
Overall Height	88mm