

zenithinteriors.com

ORBIS Workstation

Zenith



Features:

The refined leg design of Orbis has the ability to support individual and team based work modes. With sit-stand electric, fixed height, tech and winder adjust, this leg system is highly flexible. Working with CTRL, Precinct, Glovebox and the Framed screen ranges; this system can easily be transformed and customised to meet your individual requirements.

Options:

- [180°](#), [120°](#), [90°](#) & [Orbis Pie](#) configurations
- Fixed Height, Tech Adjust, Winder Adjust or Electric Adjust
- Worktop in 25mm
- Floorsight pucks and sensors
- Legs with feet have 10mm of levelling adjustment, Fixed Height and Tech Adjust with no feet have 50mm of levelling adjustment
- Castors: 180 Degree single desk only
- Screens: Compatibility depends on workstation configuration type. Refer to [Zenith Screen Matrix](#)
- Cable management: 96mm duct and enclosed duct, Cable Tray & Duct Bridges, Glovebox with/without internal powerplate, Wire Basket, Umbilical and Cable Sock. Compatibility depends on workstation configuration type. Refer to [Zenith Cable Management Document](#)
- CTRL Rail compatibility: Double sided rail (1-way or 2-way brackets), worktop mounted and pod mounted

Design: ZENITH DESIGN STUDIO

Warranty: 10 years

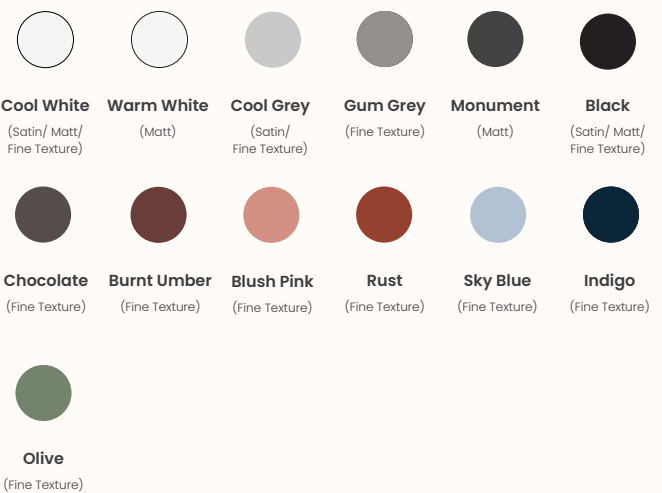
Certification: GECA, Greenguard, PEFC, FSC, AFRDI

Load Rating: Maximum dynamic load limit for all winder & electric desks is 100kg including the worktop weight.

Finishes:

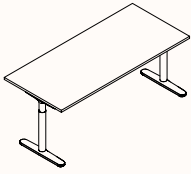
Worktop: 25mm laminate, veneer or custom top
Leg & frame: Powder coated in Zenith House Matt/Satin/Fine Texture range
Custom colours available upon request
Stocked models and colours may vary

Zenith House Powder Coat:



Note:
Fine Texture is not suitable on Orbis Electric Adjust workstation

180 Degree



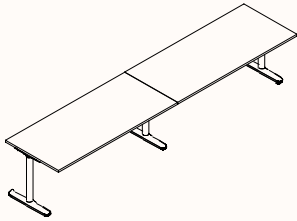
180 Degree Single

Length Range: 900-2700mm

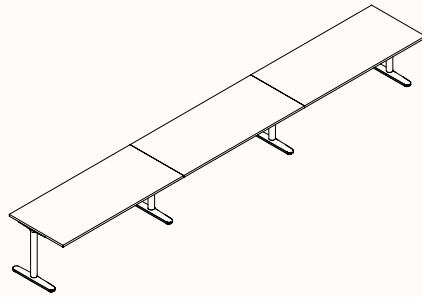
1200-2400mm (Electric Adjust)

Depth Range: 600-900mm

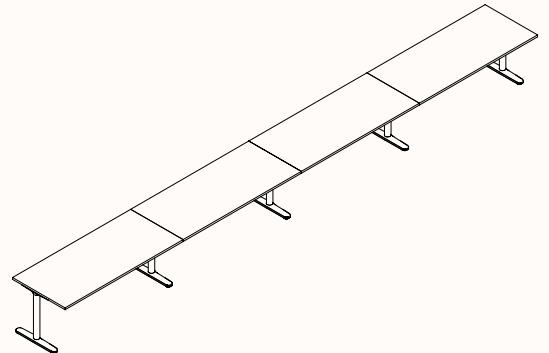
These measurements apply to all worktop sizes within the Orbis range.



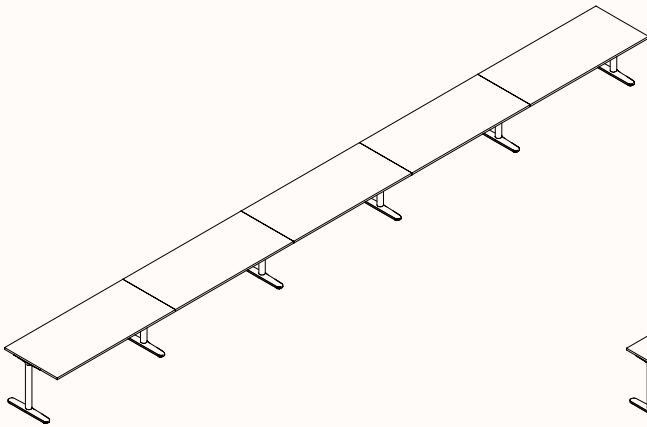
Run of 2*



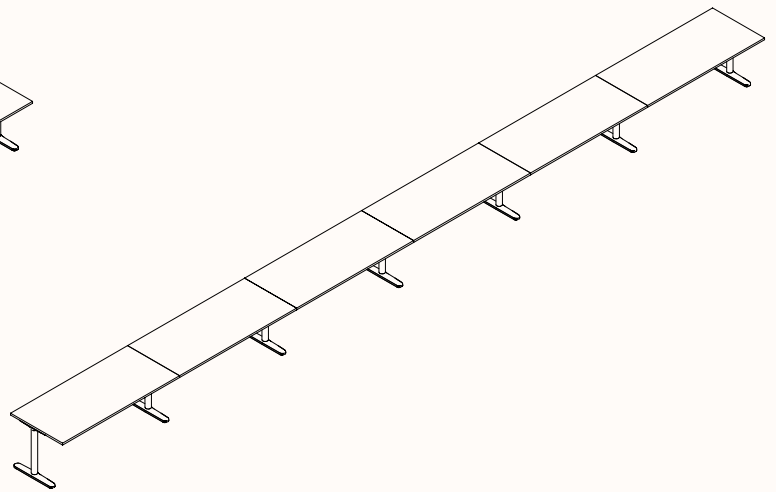
Run of 3*



Run of 4*



Run of 5*



Run of 6*

Height Range

Fixed Height: 720mm*

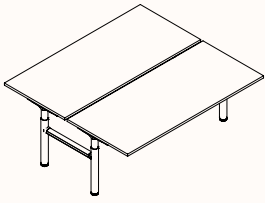
Tech Adjust: 610-900mm

Winder Adjust: 610-900mm

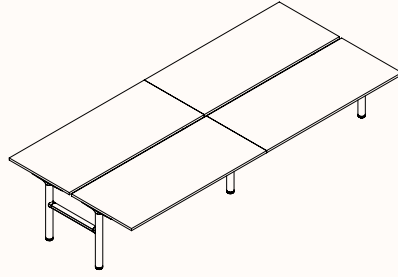
Electric Adjust: 620-1230mm

Note: * Run of 2, 3, 4, 5, 6 is only available in Fixed Height

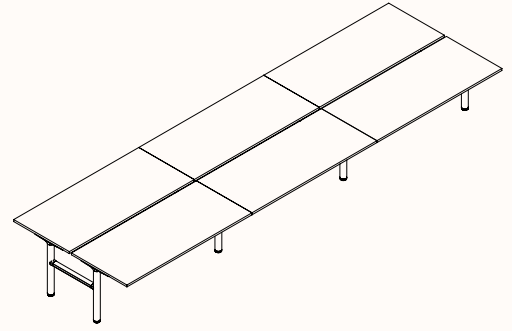
180 Degree



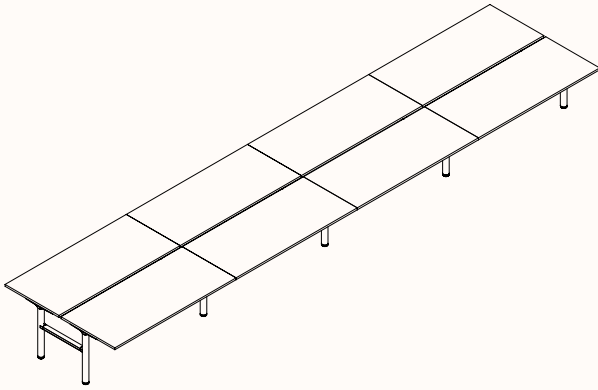
Pod of 2



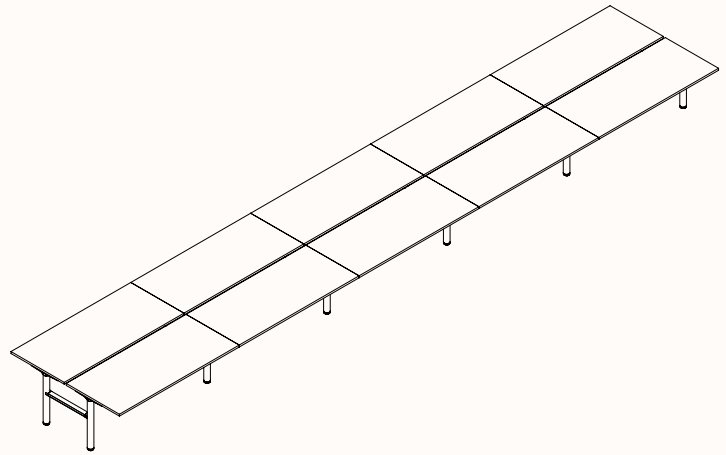
Pod of 4



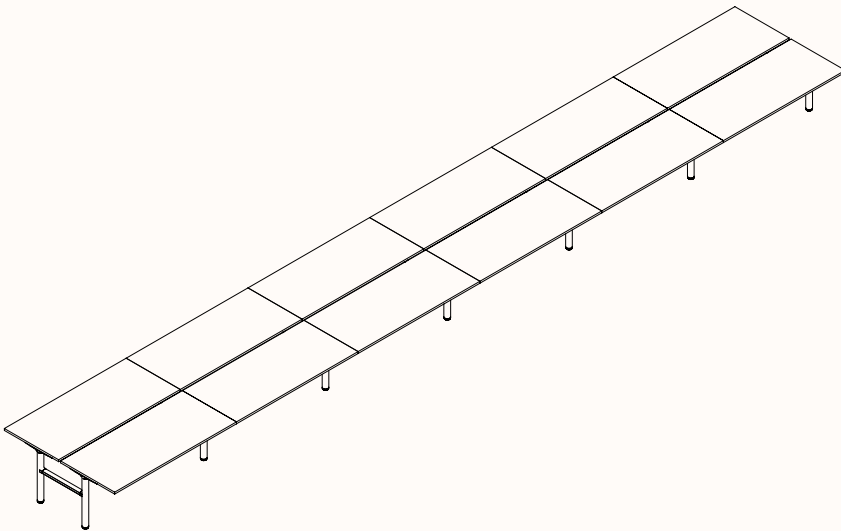
Pod of 6



Pod of 8



Pod of 10



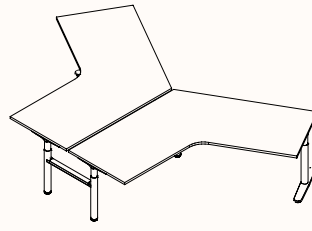
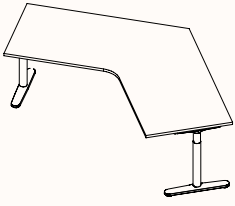
Pod of 12

Height Range

Fixed Height: 720mm*
Tech Adjust: 610-900mm
Winder Adjust: 610-900mm
Electric Adjust: 620-1230mm

Note: * Pods of 4, 6, 8, 10, 12 is only available in Fixed Height

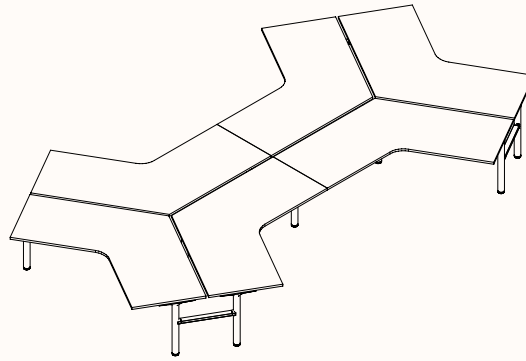
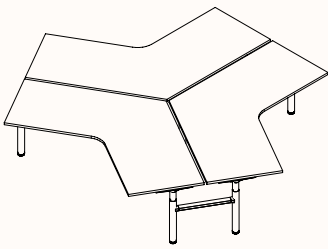
120 Degree



120 Degree Single

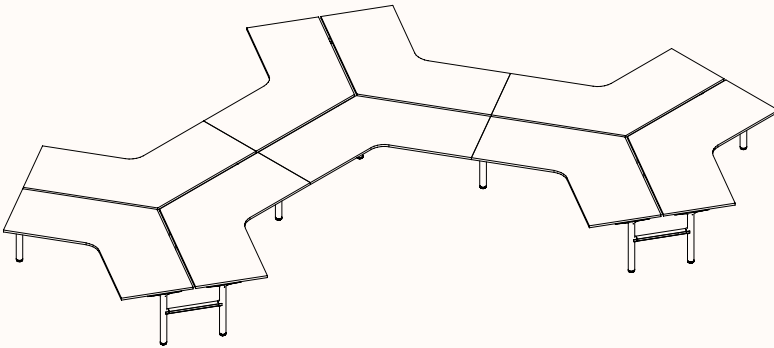
Width Range: 1200 - 2100mm
1200 - 1700mm (Electric Adjust)
Length Range: 1200 - 2100mm
1200 - 1700mm (Electric Adjust)
Depth Range: 600 - 900mm

Pod of 2



Pod of 3

Pod of 6*



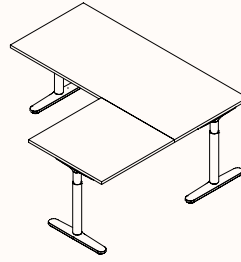
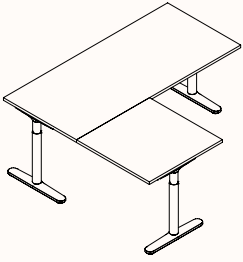
Pod of 9*

Height Range

Fixed Height: 720mm*
Tech Adjust: 610-900mm
Winder Adjust: 610-900mm
Electric Adjust: 620-1230mm

Note: * Pod of 6 & 9 is only available in Fixed Height

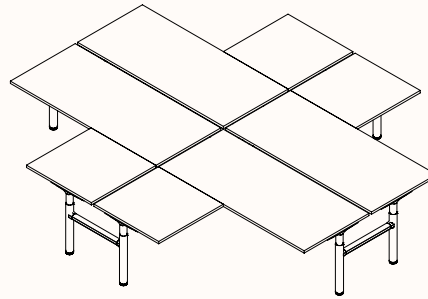
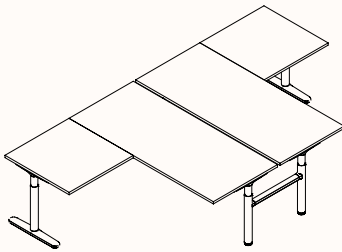
90 Degree



3 End Left Hand

Width Range: 1200 - 2700mm
1200 - 2100mm (Electric Adjust)
Length Range: 1200 - 2700mm
1200 - 2400mm (Electric Adjust)
Depth Range: 600 - 900mm

3 End Right Hand



Pod of Two

3 End Left Hand & 3 End Right Hand

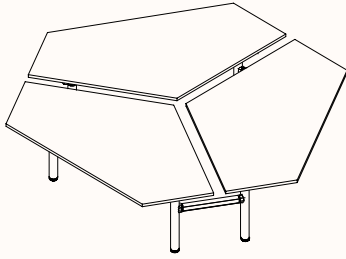
Pod of Four

2 x 3 End Left Hand & 2 x 3 End Right Hand

Height Range

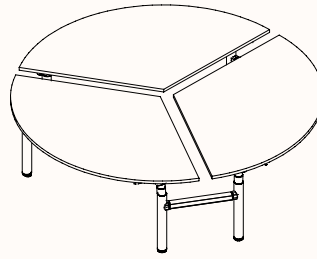
Fixed Height: 720mm
Tech Adjust: 610-900mm
Winder Adjust: 610-900mm
Electric Adjust: 620-1230mm

Orbis Pie



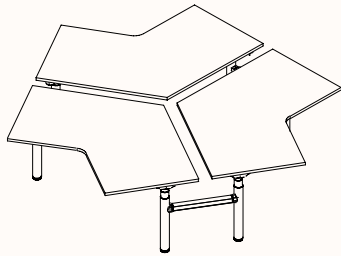
TRI-POD 3

Worktop Length: 1100mm - 1300mm
Worktop Depth: 500mm - 600mm
Overall Depth: 1025mm - 1300mm



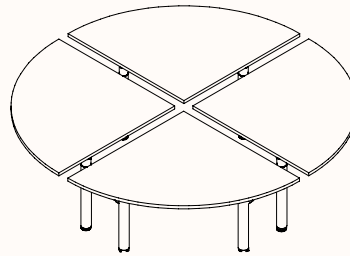
RND-POD 3

Worktop Length: 1100mm - 1300mm
Worktop gap: 75-100mm



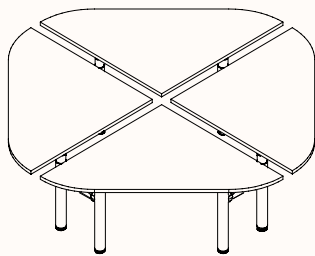
120-POD 3-2 LEG

Worktop Length: 1100mm - 1300mm
Worktop Depth: 600mm - 750mm
Overall Depth: 1225mm - 1600mm



RND-POD 4

Worktop Length: 1100mm - 1250mm
Worktop gap: 25 - 100mm



SQR-POD 4

Worktop Length: 1100mm - 1300mm
Worktop gap: 25 - 100mm

Note: PIE Shaped configurations only available in Electric adjust
Height Range: 620mm - 1230mm (Electric Adjust)