

# Cable Management



## CONTENTS:

Cable Hub	<a href="#">2</a>
Glovebox	<a href="#">4</a>
Wire Basket	<a href="#">5</a>
Services Mounting Plate	<a href="#">6</a>
Cable Sleeve	<a href="#">7</a>
Cable Tractor	<a href="#">8</a>
Rectangular Umbilical	<a href="#">9</a>
96mm Duct Mounted on Z Bracket	<a href="#">10</a>
96mm Duct Mounted on Vertical Bracket	<a href="#">10</a>
96mm Dropped Duct (180 & 90 only)	<a href="#">11</a>
Duct Bridges	<a href="#">12</a>
Cable Tray 250 x 75	<a href="#">13</a>
Cable Duct	<a href="#">14</a>
Hinged Front Cable Box	<a href="#">15</a>
86mm Cable Box (Fixed Height)	<a href="#">16</a>
86mm Cable Box (Variable Size)	<a href="#">17</a>
Cable Tray Open & Closed	<a href="#">18</a>
Top Mount Plates	<a href="#">19</a>
Worktop Mount Duct	<a href="#">20</a>
Powerblade	<a href="#">21</a>
Leg Box	<a href="#">23</a>

# Cable Hub – 500mm

## Features:

The Cable Hub has two sets of mounting brackets at each end and can be fixed to the worktop at two different heights. Please ensure it will not clash with other items fixed underneath the worktop such as table support beams or in-desk boxes.

## Options:

- Cable Hub
- Cable Hub with Cable Sleeve
- Cable Hub with Tractor

## Finishes:

### 100% Recyclable PET:



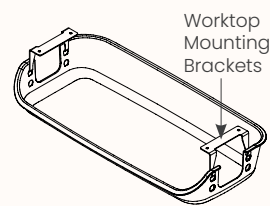
Mid-Grey

### Powder coated Mounting Brackets:



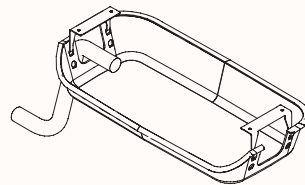
**Black**  
(Fine Texture)

## Dimensions:



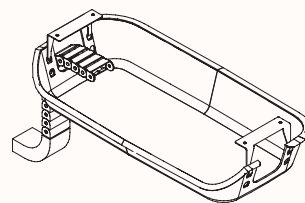
### Cable Hub

Length Range	530mm
	500mm (Internal)
Depth Range	250mm
Overall Height	100mm ; 125mm



### Cable Hub with Cable Sleeve

Length Range	530mm
	500mm (Internal)
Depth Range	250mm
Overall Height	100mm ; 125mm



### Cable Hub with Tractor

Length Range	530mm
	500mm (Internal)
Depth Range	250mm
Overall Height	100mm ; 125mm

# Cable Hub – 950mm

## Features:

The Cable Hub has two sets of mounting brackets at each end and can be fixed to the worktop. Please ensure it will not clash with other items fixed underneath the worktop such as table support beams or in-desk boxes.

## Options:

- Cable Hub
- Cable Hub with cable sleeve
- Cable Hub with Tractor

## Finishes:

### 100% Recyclable PET:



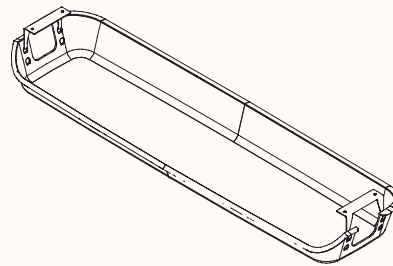
Mid-Grey

### Powder coated Mounting Brackets:



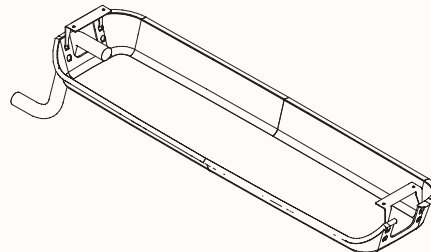
**Black**  
(Fine Texture)

## Dimensions:



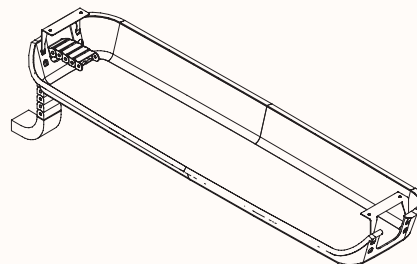
### Cable Hub

Length Range	980mm 950mm (Internal)
Depth Range	250mm
Overall Height	100mm ; 125mm



### Cable Hub with Cable Sleeve

Length Range	980mm 950mm (Internal)
Depth Range	250mm
Overall Height	100mm ; 125mm



### Cable Hub with Tractor

Length Range	980mm 950mm (Internal)
Depth Range	250mm
Overall Height	100mm ; 125mm

# Glovebox

## Glovebox with or without Power Plate

### Features:

The Glovebox is a formed PET cable dump in a fixed size. A low cost and less capacity alternative to the power plate is to order the Glovebox 'without power plate' and then separately order the Services Mount Plate.

### Options:

- Power plate for housing CMS soft wiring sockets

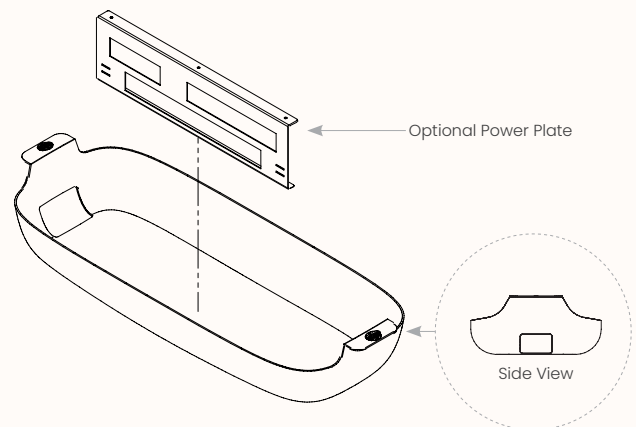
### Finishes:

#### 100% Recyclable PET:



Mid-Grey

## Dimensions:



Length Range	876mm
Depth Range	325mm
Overall Height	152mm

# Wire Basket

## Wire Basket - 950mm

### Features:

Wire Baskets are made of wire mesh folded into a range of standard basket sizes. The worktop mounting brackets are welded to the mesh and the basket is then powder coated. The basket height/depth depends on the worktop mounting brackets.

### Options:

- Single Sided
- Double Sided

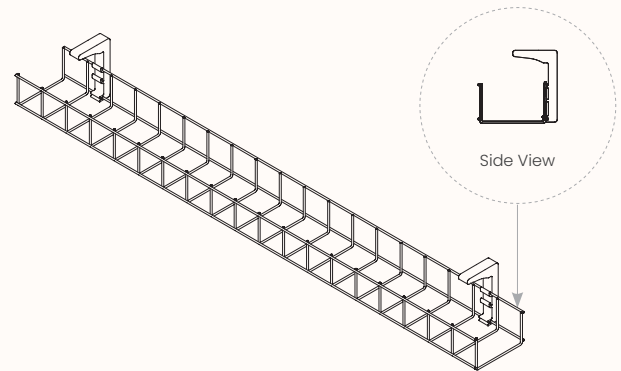
### Finishes:

#### Powder coat:



**Cool White**  
(Satin)

### Dimensions:



Length Range	950mm
Depth Range	50mm
Overall Height	50mm

# Services Mounting Plate

## Features:

The Services Mount Plate is a simple folded sheet metal part to suit required power and data softwiring outlets. The overall plate size is fixed, and are available two types of plates – dual and quad.

## Options:

- Dual plate fit 2x data and 2x GPO
- Quad plate can fit 2x data and 4x GPO

## Finishes:

### Powder coat:



<b>Cool White</b> (Satin/ Matt/ Fine Texture)	<b>Warm White</b> (Matt)	<b>Cool Grey</b> (Satin/ Fine Texture)	<b>Gum Grey</b> (Fine Texture)	<b>Monument</b> (Matt)	<b>Black</b> (Satin/ Matt/ Fine Texture)
-----------------------------------------------------	-----------------------------	----------------------------------------------	-----------------------------------	---------------------------	------------------------------------------------

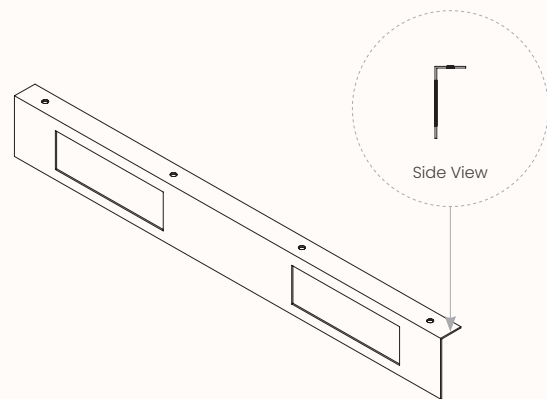


<b>Chocolate</b> (Matt/ Fine Texture)	<b>Burnt Umber</b> (Matt/ Fine Texture)	<b>Blush Pink</b> (Matt/ Fine Texture)	<b>Rust</b> (Matt/ Fine Texture)	<b>Sky Blue</b> (Matt/ Fine Texture)	<b>Indigo</b> (Matt/ Fine Texture)
---------------------------------------------	-----------------------------------------------	----------------------------------------------	----------------------------------------	--------------------------------------------	------------------------------------------



**Olive**  
(Matt/  
Fine Texture)

## Dimensions:



Length Range	520mm
Depth Range	25mm
Overall Height	65mm

# Cable Sleeve with ABS

## Features:

The braided Cable Sleeve cleverly conceals the under desk cabling on all Zenith workstations. Designed with a loop at each end to attach the sleeve to the worktop and ducting or floor. Each sleeve can house a maximum of 2 power and 5 data cables. The Sleeve is a textured fabric with a matching ABS guide. It is located inside the braided Cable Sleeve to stiffen the fabric giving it a more rigid appearance. The ABS strip can be removed if desired.

## Finishes:

### Fabric:



Black

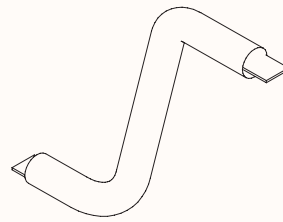


Grey



White

## Dimensions:



DIA	25mm
Length Range	1000mm

# Cable Tractor

## Features:

The Cable Tractor carries cables from the duct to the worktop and is mainly suited to height adjustable desks. It comes with end brackets and fasteners and has no internal segregation.

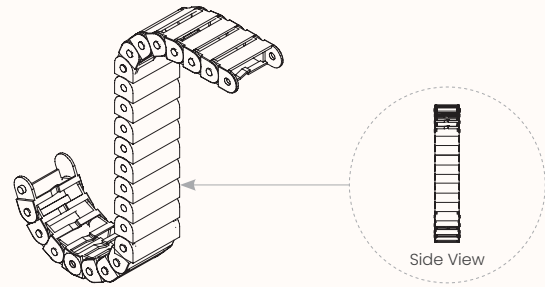
## Finishes:

### Powder coat:



White

## Dimensions:



Length Range	50mm
Depth Range	20mm
Overall Height	1000mm



# Rectangular Umbilical

## Features:

The Rectangular Umbilical carries cables from the duct to the worktop and is mainly suited to height adjustable desks. There are two types of mounting brackets to suit different desk systems:

## Rectangular Umbilical – Vertical Cable Management

### Options:

- Standard 96mm duct or 96mm dropped duct
- Access floor to worktop

The Rectangular Umbilical carries cables from the access floor to the worktop and comes with a floor base at one end and a worktop mounting bracket at the other end. The umbilical comes in a variety of lengths to suit different desk applications:

- 750mm L (suits 720/750H fixed height desks)
- 900mm L (suits 900H fixed height desks)
- 1050mm L (suits 1050H fixed height desks)
- 1230mm L (suits electric adjust desks)

The umbilical segment is approx. 68mm x 36mm and has internal segregation into 4 compartments.

## Finishes:

### Powder coat:



White

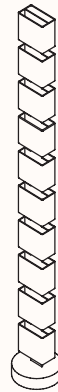


Black



Silver

## Dimensions:



Length Range	68mm
Depth Range	36mm
Overall Height	750/900/1000/1050/1230mm

# 96mm Duct Mounted on Z Bracket / Vertical Bracket

## 96mm Duct Mounted on Z Bracket

### Features:

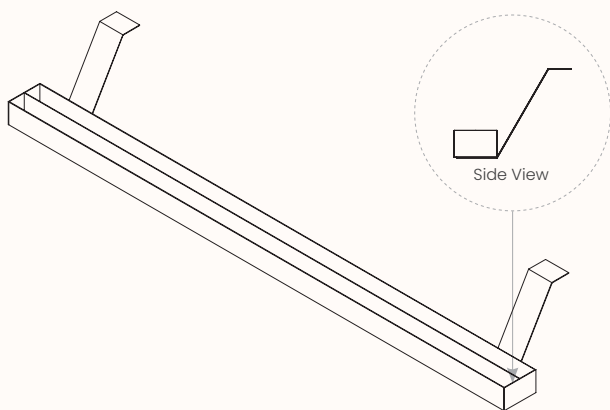
The 96mm Duct can be fixed to the worktop using Z-brackets. The Z-brackets offset the duct to give flexibility in the mounting position and avoid other items under the worktop.

### Finishes:

#### Powder coat:



### Dimensions:



Length Range    500-2700mm  
 Depth Range    236mm  
 Overall Height    160mm

## 96mm Duct Mounted on Vertical Bracket

### Features:

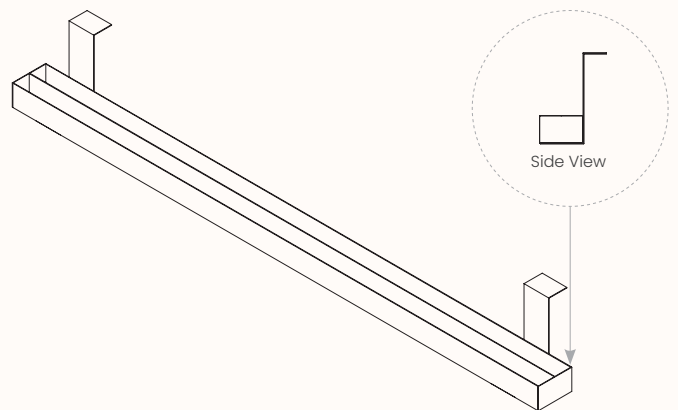
The 96mm Duct can be fixed to the worktop using vertical brackets. The Vertical Brackets provide a smaller footprint and give flexibility in the mounting position and avoid other items under the worktop.

### Finishes:

#### Powder coat:



### Dimensions:



Length Range    500-2700mm  
 Depth Range    149mm  
 Overall Height    160mm

# 96mm Dropped Duct (180 & 90 Only)

## Features:

The frame mounted 96mm Duct on Rumba is higher than Orbis. When the Rumba desk is height adjustable and at the minimum desk height, the 96mm Duct can clash with cable management products fixed under the worktop. The 96mm Dropped Duct is available for 180-degree and 90-degree configurations.

## Finishes:

### Powder coat:



**Cool White** (Satin/ Matt/ Fine Texture)   **Warm White** (Matt)   **Cool Grey** (Satin/ Fine Texture)   **Gum Grey** (Fine Texture)   **Monument** (Matt)   **Black** (Satin/ Matt/ Fine Texture)

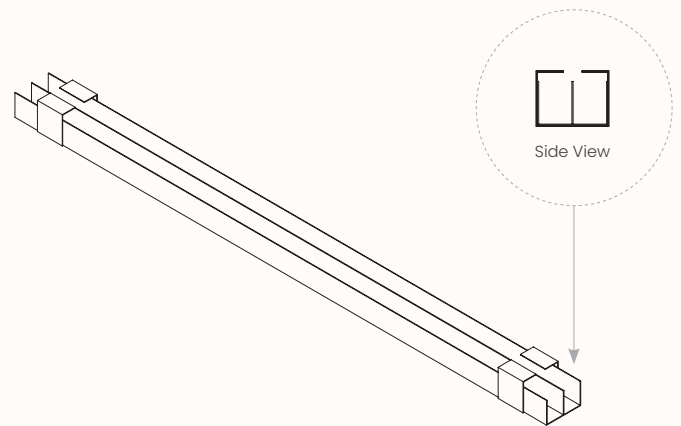


**Chocolate** (Matt/ Fine Texture)   **Burnt Umber** (Matt/ Fine Texture)   **Blush Pink** (Matt/ Fine Texture)   **Rust** (Matt/ Fine Texture)   **Sky Blue** (Matt/ Fine Texture)   **Indigo** (Matt/ Fine Texture)



**Olive** (Matt/ Fine Texture)

## Dimensions:



Length Range      500-2700mm  
 Depth Range      114mm  
 Overall Height     76mm

# Duct Bridges

## Features:

Australian standards require electric height adjustable desks to be separated by a 25mm gap (minimum). This is a safety measure to reduce the risk of injury to users. Duct Bridges are available to physically space Rumba workstations 25mm apart and to conceal the cables between adjoining desks. The type of Duct Bridge depends on the desk configuration, screen type & duct type.

## Options:

- Single Desk Duct Bridge Option 1 & Option 2
- Worktop Duct Bridge

## Finishes:

### Powder coat:



<b>Cool White</b> (Satin/ Matt/ Fine Texture)	<b>Warm White</b> (Matt)	<b>Cool Grey</b> (Satin/ Fine Texture)	<b>Gum Grey</b> (Fine Texture)	<b>Monument</b> (Matt)	<b>Black</b> (Satin/ Matt/ Fine Texture)
-----------------------------------------------------	-----------------------------	----------------------------------------------	-----------------------------------	---------------------------	------------------------------------------------

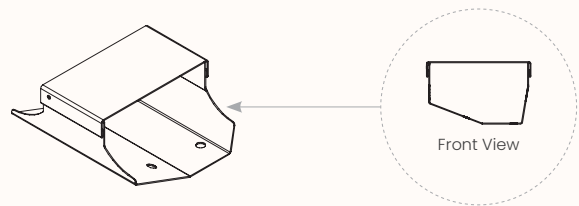


<b>Chocolate</b> (Matt/ Fine Texture)	<b>Burnt Umber</b> (Matt/ Fine Texture)	<b>Blush Pink</b> (Matt/ Fine Texture)	<b>Rust</b> (Matt/ Fine Texture)	<b>Sky Blue</b> (Matt/ Fine Texture)	<b>Indigo</b> (Matt/ Fine Texture)
---------------------------------------------	-----------------------------------------------	----------------------------------------------	----------------------------------------	--------------------------------------------	------------------------------------------



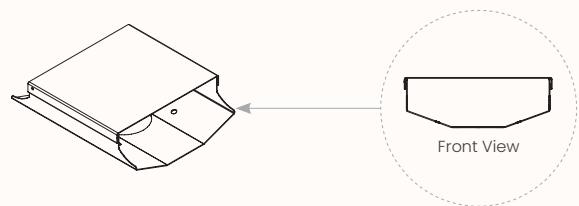
**Olive**  
(Matt/  
Fine Texture)

## Dimensions:



### Single Desk Duct Bridge

Length Range	216mm
Depth Range	177mm
Overall Height	61mm



### Workpod Desk Duct Bridge

Length Range	216mm
Depth Range	177mm
Overall Height	61mm

# Cable Tray 250 x 75

## Features:

The Cable Tray has mounting / cutout features to suit umbilicals, access floor powerblades and cable ties. Optional accessories include tray lid, end cover and GPO insert.

## Finishes:

### Powder coat:



**Cool White** (Satin/ Matt/ Fine Texture)   **Warm White** (Matt)   **Cool Grey** (Satin/ Fine Texture)   **Gum Grey** (Fine Texture)   **Monument** (Matt)   **Black** (Satin/ Matt/ Fine Texture)

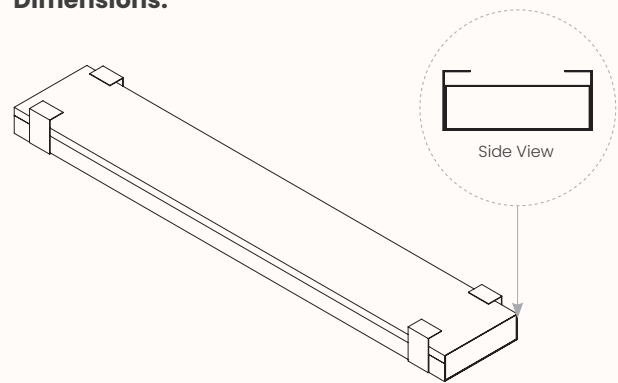


**Chocolate** (Matt/ Fine Texture)   **Burnt Umber** (Matt/ Fine Texture)   **Blush Pink** (Matt/ Fine Texture)   **Rust** (Matt/ Fine Texture)   **Sky Blue** (Matt/ Fine Texture)   **Indigo** (Matt/ Fine Texture)



**Olive** (Matt/ Fine Texture)

## Dimensions:



Length Range	Variable
Depth Range	250mm
Overall Height	75mm

# Cable Duct

## Features:

The Cable Duct is a simple folded sheet metal part with variable sizing. The length, width, height and front flange height of the Cable Duct are variable. The Cable Ducts are compatible with all workstations/tables.

## Finishes:

### Powder coat:



<b>Cool White</b> (Satin/ Matt/ Fine Texture)	<b>Warm White</b> (Matt)	<b>Cool Grey</b> (Satin/ Fine Texture)	<b>Gum Grey</b> (Fine Texture)	<b>Monument</b> (Matt)	<b>Black</b> (Satin/ Matt/ Fine Texture)
-----------------------------------------------------	-----------------------------	----------------------------------------------	-----------------------------------	---------------------------	------------------------------------------------

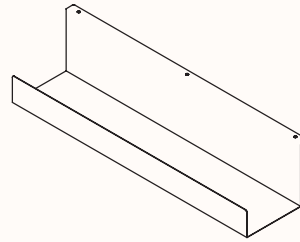


<b>Chocolate</b> (Matt/ Fine Texture)	<b>Burnt Umber</b> (Matt/ Fine Texture)	<b>Blush Pink</b> (Matt/ Fine Texture)	<b>Rust</b> (Matt/ Fine Texture)	<b>Sky Blue</b> (Matt/ Fine Texture)	<b>Indigo</b> (Matt/ Fine Texture)
---------------------------------------------	-----------------------------------------------	----------------------------------------------	----------------------------------------	--------------------------------------------	------------------------------------------



**Olive**  
(Matt/  
Fine Texture)

## Dimensions:



Length Range	min 300 to max 1250mm
Depth Range	min 90 to max 150mm
Overall Height	min 90 to max 150mm

# Hinged Front Cable Box

## Hinged Front Cable Box

### Features:

The Cable Box is folded sheet metal and has a hinged door to give access to internal cabling. The door has a magnetic closure and there is a cutout at each end of the Cable Box for cables to pass through. The length, width and height of the Cable Box & hinged door are variable. The hinged-front Cable Boxes are compatible with all workstations/tables.

### Finishes:

#### Powder coat:



<b>Cool White</b> (Satin/ Matt/ Fine Texture)	<b>Warm White</b> (Matt)	<b>Cool Grey</b> (Satin/ Fine Texture)	<b>Gum Grey</b> (Fine Texture)	<b>Monument</b> (Matt)	<b>Black</b> (Satin/ Matt/ Fine Texture)
-----------------------------------------------------	-----------------------------	----------------------------------------------	-----------------------------------	---------------------------	------------------------------------------------

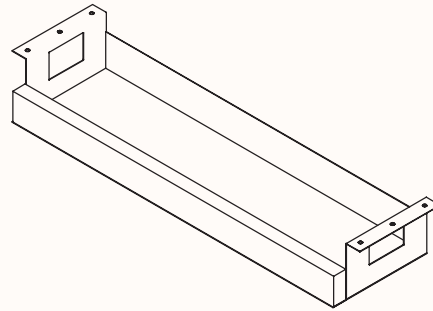


<b>Chocolate</b> (Matt/ Fine Texture)	<b>Burnt Umber</b> (Matt/ Fine Texture)	<b>Blush Pink</b> (Matt/ Fine Texture)	<b>Rust</b> (Matt/ Fine Texture)	<b>Sky Blue</b> (Matt/ Fine Texture)	<b>Indigo</b> (Matt/ Fine Texture)
---------------------------------------------	-----------------------------------------------	----------------------------------------------	----------------------------------------	--------------------------------------------	------------------------------------------



**Olive**  
(Matt/  
Fine Texture)

### Dimensions:



Length Range	min 400 to max 1300mm
Depth Range	min 150 to max 300mm
Overall Height	min 90 to max 250mm

# 86mm Cable Box (Fixed Size)

## Features:

The 86mm Cable Box suits 86mm sockets.

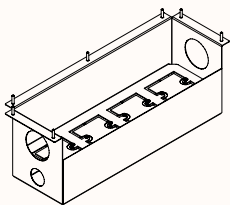
There are 4 types of 86mm Cable Boxes:

Single Row Type A, Single Row Type B, Double Row Type A, Double Row Type B.

For each type of 86mm cable box there are 4 standard sizes available: 310mm, 410mm, 510mm, 610mm

The 86mm cable boxes are compatible with all workstations/tables.

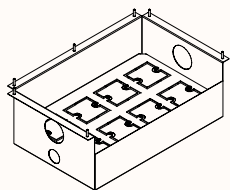
## Dimensions:



### Single Row - Type A:

#### 3, 4, 5 or 6 sockets

Length Range	310mm / 410mm / 510mm / 610mm
Depth Range	150mm
Height Range	150mm



### Double Row - Type A:

#### 6, 8, 10, or 12 sockets

Length Range	310mm / 410mm / 510mm / 610mm
Depth Range	260mm
Height Range	150mm

## Finishes:

### Powder coat:



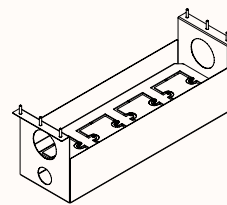
<b>Cool White</b> (Satin/ Matt/ Fine Texture)	<b>Warm White</b> (Matt)	<b>Cool Grey</b> (Satin/ Fine Texture)	<b>Gum Grey</b> (Fine Texture)	<b>Monument</b> (Matt)	<b>Black</b> (Satin/ Matt/ Fine Texture)
-----------------------------------------------------	-----------------------------	----------------------------------------------	-----------------------------------	---------------------------	------------------------------------------------



<b>Chocolate</b> (Matt/ Fine Texture)	<b>Burnt Umber</b> (Matt/ Fine Texture)	<b>Blush Pink</b> (Matt/ Fine Texture)	<b>Rust</b> (Matt/ Fine Texture)	<b>Sky Blue</b> (Matt/ Fine Texture)	<b>Indigo</b> (Matt/ Fine Texture)
---------------------------------------------	-----------------------------------------------	----------------------------------------------	----------------------------------------	--------------------------------------------	------------------------------------------



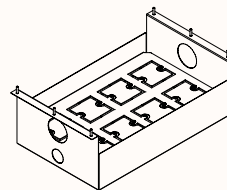
<b>Olive</b> (Matt/ Fine Texture)
-----------------------------------------



### Single Row - Type B:

#### 3, 4, 5 or 6 sockets

Length Range	310mm / 410mm / 510mm / 610mm
Depth Range	130mm
Height Range	150mm



### Double Row - Type B:

#### 6, 8, 10, or 12 sockets

Length Range	310mm / 410mm / 510mm / 610mm
Depth Range	260mm
Height Range	150mm



# 86mm Cable Box (Variable Size)

## 86mm Under Desk Box (Variable Size)

### Features:

The 86mm Cable Box suits 86mm sockets.  
There are 3 types of 86mm Cable Boxes:  
Single Row Type A, Single Row Type B, Double Row Type B.

For each type, it comes in various sockets. The 86mm cable boxes are compatible with all workstations/tables.

The Single Row boxes can have the sockets assembled on the LH or RH end. The Double Row box has the sockets assembled to the centre.

### Dimensions:

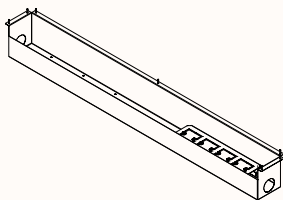
Length Range      710-1400mm  
Depth Range        130-250mm  
Height Range       100-250mm

### Finishes:

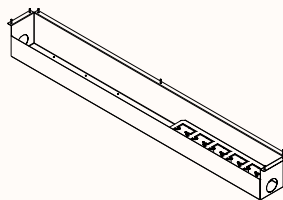
#### Powder coat:

					
<b>Cool White</b> (Satin/ Matt/ Fine Texture)	<b>Warm White</b> (Matt)	<b>Cool Grey</b> (Satin/ Fine Texture)	<b>Gum Grey</b> (Fine Texture)	<b>Monument</b> (Matt)	<b>Black</b> (Satin/ Matt/ Fine Texture)
					
<b>Chocolate</b> (Matt/ Fine Texture)	<b>Burnt Umber</b> (Matt/ Fine Texture)	<b>Blush Pink</b> (Matt/ Fine Texture)	<b>Rust</b> (Matt/ Fine Texture)	<b>Sky Blue</b> (Matt/ Fine Texture)	<b>Indigo</b> (Matt/ Fine Texture)
					
<b>Olive</b> (Matt/ Fine Texture)					

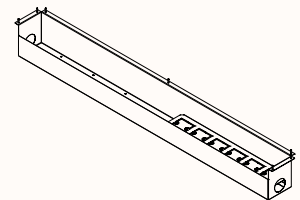
### Single Row - Type A:



4 Sockets

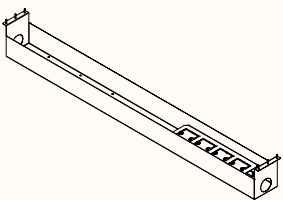


5 Sockets

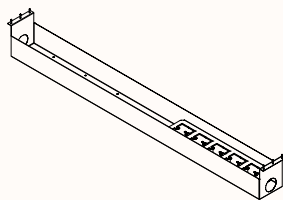


6 Sockets

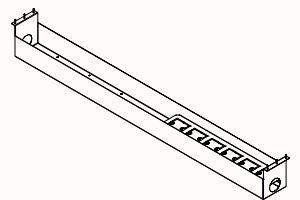
### Single Row - Type B:



4 Sockets

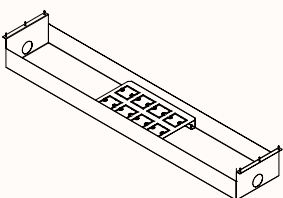


5 Sockets

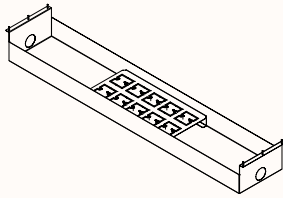


6 Sockets

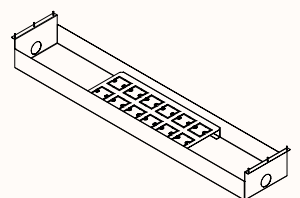
### Double Row - Type B:



8 Sockets



10 Sockets



12 Sockets

# Cable Tray Open & Closed

## Cable Tray Open

### Features:

The Open Cable Tray is a folded & powder coated sheet metal tray and is available in two types – ‘flange in’ and ‘flange out’. The open Cable Tray has a range of fixed standard sizes.

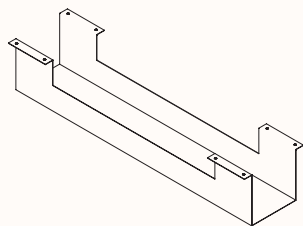
The Open Cable Tray can also be ordered as variable. For variable trays the length, width, height and flange height must be specified for each order. The ‘flange out’ variable tray has optional closed ends. The Open Cable Trays are compatible with all workstations/tables.

### Finishes:

#### Powder coat:

					
<b>Cool White</b> <small>(Satin/ Matt/ Fine Texture)</small>	<b>Warm White</b> <small>(Matt)</small>	<b>Cool Grey</b> <small>(Satin/ Fine Texture)</small>	<b>Gum Grey</b> <small>(Fine Texture)</small>	<b>Monument</b> <small>(Matt)</small>	<b>Black</b> <small>(Satin/ Matt/ Fine Texture)</small>
					
<b>Chocolate</b> <small>(Matt/ Fine Texture)</small>	<b>Burnt Umber</b> <small>(Matt/ Fine Texture)</small>	<b>Blush Pink</b> <small>(Matt/ Fine Texture)</small>	<b>Rust</b> <small>(Matt/ Fine Texture)</small>	<b>Sky Blue</b> <small>(Matt/ Fine Texture)</small>	<b>Indigo</b> <small>(Matt/ Fine Texture)</small>
					
<b>Olive</b> <small>(Matt/ Fine Texture)</small>					

### Dimensions:



Length Range      520mm ; 800mm ; 1000mm  
 Depth Range      150mm  
 Overall Height    150mm

## Cable Tray Closed

### Features:

The Closed Cable Tray is a folded & powder coated sheet metal tray and is available in two types – ‘flange in’ and ‘flange out’.

The ‘flange in’ type has a smaller footprint but requires two slots on the bottom face to give access to the fasteners. The ‘flange out’ type has a bigger footprint but has no slots on the bottom.

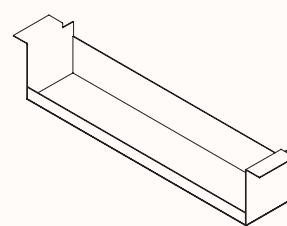
The length, width, height, front & back flange height of the Closed Cable Tray are variable and must be specified for each order. The Closed Cable Trays are compatible with all workstations/tables.

### Finishes:

#### Powder coat:

					
<b>Cool White</b> <small>(Satin/ Matt/ Fine Texture)</small>	<b>Warm White</b> <small>(Matt)</small>	<b>Cool Grey</b> <small>(Satin/ Fine Texture)</small>	<b>Gum Grey</b> <small>(Fine Texture)</small>	<b>Monument</b> <small>(Matt)</small>	<b>Black</b> <small>(Satin/ Matt/ Fine Texture)</small>
					
<b>Chocolate</b> <small>(Matt/ Fine Texture)</small>	<b>Burnt Umber</b> <small>(Matt/ Fine Texture)</small>	<b>Blush Pink</b> <small>(Matt/ Fine Texture)</small>	<b>Rust</b> <small>(Matt/ Fine Texture)</small>	<b>Sky Blue</b> <small>(Matt/ Fine Texture)</small>	<b>Indigo</b> <small>(Matt/ Fine Texture)</small>
					
<b>Olive</b> <small>(Matt/ Fine Texture)</small>					

### Dimensions:



Length Range      min 400 to max 1300mm  
 Height Depth      min 90 to max 250mm  
                          min 150 to max 300mm

# Top Mount Plates

## Features:

Top Mount Plates are folded sheet metal parts which fix to the underside of the worktop to house power/data outlets. The Top Mount Plates are designed to seamlessly integrate with other cable management products such as the Worktop Mount Duct.

## Finishes:

### Powder coat:



**Cool White** (Satin/ Matt/ Fine Texture)   **Warm White** (Matt)   **Cool Grey** (Satin/ Fine Texture)   **Gum Grey** (Fine Texture)   **Monument** (Matt)   **Black** (Satin/ Matt/ Fine Texture)

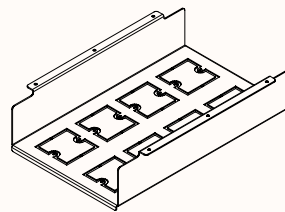


**Chocolate** (Matt/ Fine Texture)   **Burnt Umber** (Matt/ Fine Texture)   **Blush Pink** (Matt/ Fine Texture)   **Rust** (Matt/ Fine Texture)   **Sky Blue** (Matt/ Fine Texture)   **Indigo** (Matt/ Fine Texture)



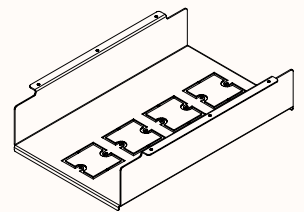
**Olive** (Matt/ Fine Texture)

## Dimensions:



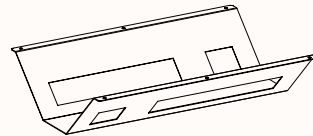
### TMP3C 86mm Socket x 8

Length Range 416mm  
Depth Range 286mm  
Height Range 98mm



### TMP2C 86mm Socket x 4

Length Range 416mm  
Depth Range 286mm  
Height Range 98mm



### CMS/Elsafe TMP1A 2x Quad GPO & 2x Data

Length Range 410mm  
Depth Range 284mm  
Height Range 90mm

# Worktop Mount Duct (With & Without Powerblade)

## Worktop Mount Duct with Powerblade

### Features:

The Worktop Mount Duct with powerblade is a simple folded steel cable tray with an integrated powerblade at one end. The duct and powerblade fix to the underside of the worktop, and the internal cover of the powerblade is removable. The duct is compatible with the Top Mount Plates.

### Finishes:

#### Powder coat:



**Cool White** (Satin/ Matt/ Fine Texture)   **Warm White** (Matt)   **Cool Grey** (Satin/ Fine Texture)   **Gum Grey** (Fine Texture)   **Monument** (Matt)   **Black** (Satin/ Matt/ Fine Texture)

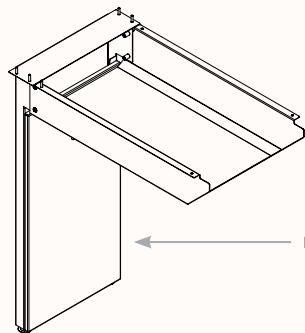


**Chocolate** (Matt/ Fine Texture)   **Burnt Umber** (Matt/ Fine Texture)   **Blush Pink** (Matt/ Fine Texture)   **Rust** (Matt/ Fine Texture)   **Sky Blue** (Matt/ Fine Texture)   **Indigo** (Matt/ Fine Texture)



**Olive** (Matt/ Fine Texture)

### Dimensions:



Removable Cover

Length Range      598mm  
 Depth Range      330mm  
 Duct Height      110mm to suit CMS/Elsafe top mount plates  
                          160mm to suit 86mm socket top mount plates  
 Powerblade Height      Desk/table height – worktop thickness

## Worktop Mount Duct without Powerblade

### Features:

The Worktop Mount Duct without powerblade is a simple folded steel cable tray compatible with multiple different power/data requirements and other cable management products such as the Top Mount Plates. The underside of the duct comes with attachment points for an umbilical to the floor.

### Finishes:

#### Powder coat:



**Cool White** (Satin/ Matt/ Fine Texture)   **Warm White** (Matt)   **Cool Grey** (Satin/ Fine Texture)   **Gum Grey** (Fine Texture)   **Monument** (Matt)   **Black** (Satin/ Matt/ Fine Texture)

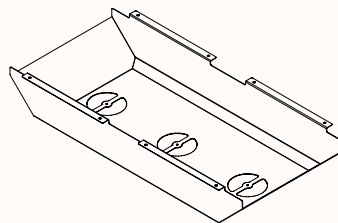


**Chocolate** (Matt/ Fine Texture)   **Burnt Umber** (Matt/ Fine Texture)   **Blush Pink** (Matt/ Fine Texture)   **Rust** (Matt/ Fine Texture)   **Sky Blue** (Matt/ Fine Texture)   **Indigo** (Matt/ Fine Texture)



**Olive** (Matt/ Fine Texture)

### Dimensions:



Length Range      660mm  
 Depth Range      324mm  
 Overall Height      110mm to suit CMS/Elsafe top mount plates  
                          160mm to suit 86mm socket top mount plates

# 96mm Powerblade

## Features:

The 96mm Powerblade carries cables from the access floor to the 96mm duct. The 96mm duct can be fixed to the desk frame or the worktop (depending on the desk system). 96mm Powerblades are available in the following types:

- Silhouette 720H or 750H (suits any 96mm duct on Z-brackets or vertical brackets mounted to the worktop – therefore can be used on other desk frames such as Kissen, Epic Plus)

## Finishes:

### Powder coat:



<b>Cool White</b> (Satin/ Matt/ Fine Texture)	<b>Warm White</b> (Matt)	<b>Cool Grey</b> (Satin/ Fine Texture)	<b>Gum Grey</b> (Fine Texture)	<b>Monument</b> (Matt)	<b>Black</b> (Satin/ Matt/ Fine Texture)
-----------------------------------------------------	-----------------------------	----------------------------------------------	-----------------------------------	---------------------------	------------------------------------------------

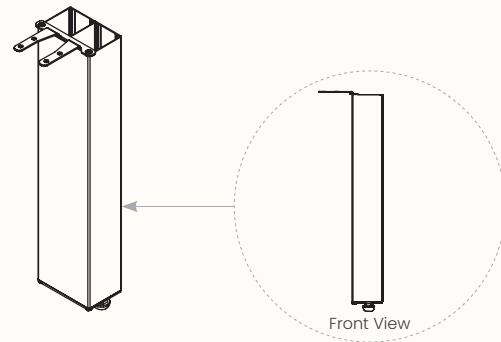


<b>Chocolate</b> (Matt/ Fine Texture)	<b>Burnt Umber</b> (Matt/ Fine Texture)	<b>Blush Pink</b> (Matt/ Fine Texture)	<b>Rust</b> (Matt/ Fine Texture)	<b>Sky Blue</b> (Matt/ Fine Texture)	<b>Indigo</b> (Matt/ Fine Texture)
---------------------------------------------	-----------------------------------------------	----------------------------------------------	----------------------------------------	--------------------------------------------	------------------------------------------



**Olive**  
(Matt/  
Fine Texture)

## Dimensions:



Length Range	96mm
Depth Range	60mm
Overall Height	Variable

# Rumba X Powerblade

## Features:

The Rumba X Powerblade carries cables from the access floor to the 96mm dropped duct. All parts are powder coated. Compatible Rumba desk types are:

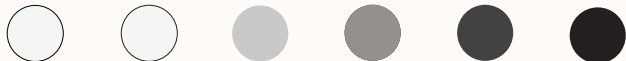
- R2CJ or Fixed Height, 180 degree pods, With 96mm dropped duct

The Rumba X-Powerblades are available in the following types:

- End Legs with no cable through penetration: Suits pod with no requirement to run cabling to an adjoining pod.
- End Legs with cable through penetration: Suits pod with requirement to run cabling through to an adjoining pod.
- Shared Legs: Comes with ability to run cabling in either direction from shared leg.

## Finishes:

### Powder coat:



<b>Cool White</b> (Satin/ Matt/ Fine Texture)	<b>Warm White</b> (Matt)	<b>Cool Grey</b> (Satin/ Fine Texture)	<b>Gum Grey</b> (Fine Texture)	<b>Monument</b> (Matt)	<b>Black</b> (Satin/ Matt/ Fine Texture)
-----------------------------------------------------	-----------------------------	----------------------------------------------	-----------------------------------	---------------------------	------------------------------------------------

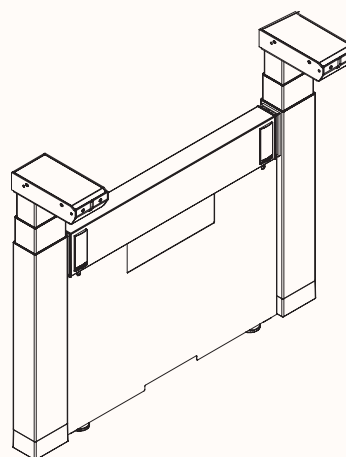


<b>Chocolate</b> (Matt/ Fine Texture)	<b>Burnt Umber</b> (Matt/ Fine Texture)	<b>Blush Pink</b> (Matt/ Fine Texture)	<b>Rust</b> (Matt/ Fine Texture)	<b>Sky Blue</b> (Matt/ Fine Texture)	<b>Indigo</b> (Matt/ Fine Texture)
---------------------------------------------	-----------------------------------------------	----------------------------------------------	----------------------------------------	--------------------------------------------	------------------------------------------



**Olive**  
(Matt/  
Fine Texture)

## Dimensions:



Length Range	Variable
Depth Range	38mm
Overall Height	407mm

# Leg Box

## Features:

The Leg Box is a cosmetic shroud which can enclose the lower part of the workstation legs. The Leg Box is available in 4 types: O2CJ Pod, R2CJ Pod, O2CJ Single Desk, R2CJ Single Desk. The top, front and back faces of the Leg Box are constructed of sheet metal & have a powder coat finish. The side faces of the Leg Box are laminate.

## Finishes:

### Powder coat:



**Cool White** (Satin/ Matt/ Fine Texture)   **Warm White** (Matt)   **Cool Grey** (Satin/ Fine Texture)   **Gum Grey** (Fine Texture)   **Monument** (Matt)   **Black** (Satin/ Matt/ Fine Texture)



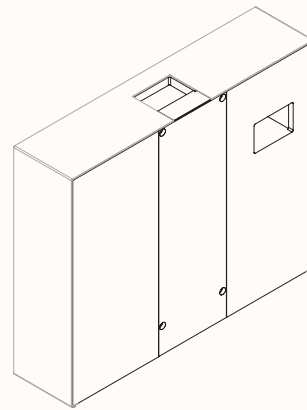
**Chocolate** (Matt/ Fine Texture)   **Burnt Umber** (Matt/ Fine Texture)   **Blush Pink** (Matt/ Fine Texture)   **Rust** (Matt/ Fine Texture)   **Sky Blue** (Matt/ Fine Texture)   **Indigo** (Matt/ Fine Texture)



**Olive** (Matt/ Fine Texture)

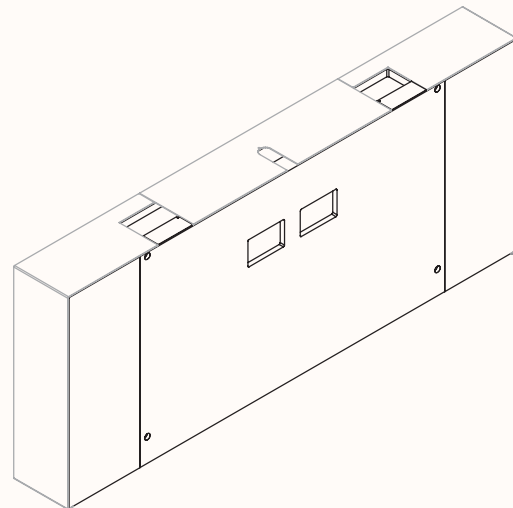
Side Faces: 18mm Laminate

## Dimensions:



### Leg Box

Length Range      150mm  
Depth Range      630mm ; 900mm  
Overall Height    450mm (Orbis Workstation)  
                             517mm (Rumba Workstation)



### Leg Box Pod

Length Range      150mm  
Depth Range      Variable  
Overall Height    450mm (Orbis Workstation)  
                             517mm (Rumba Workstation)